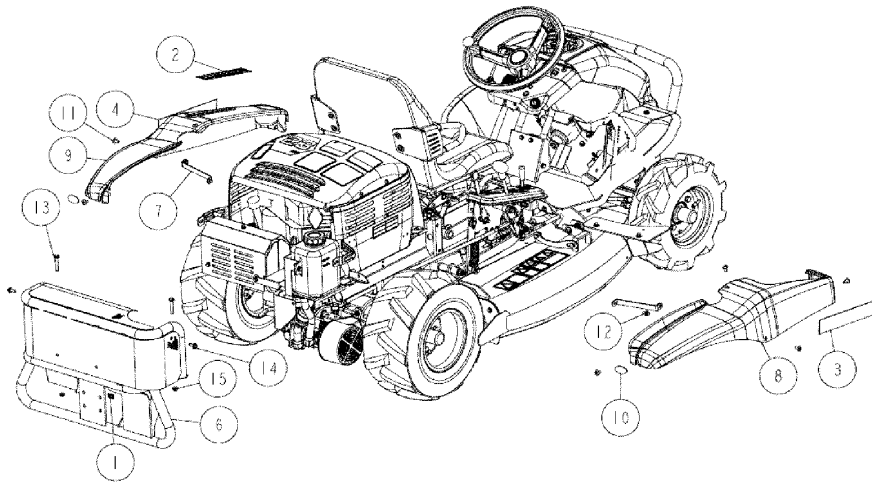


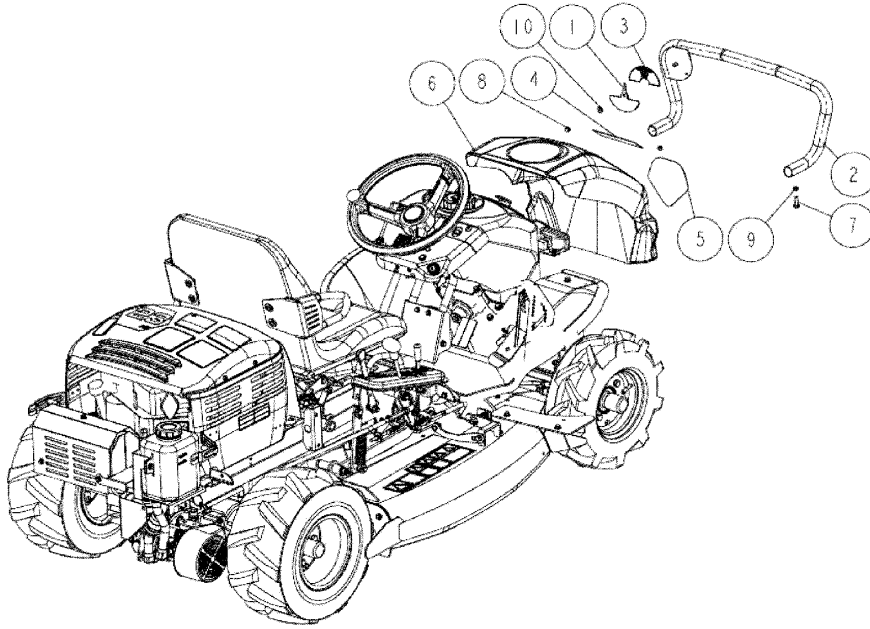
PL01905



03/2012

Number	Part Number	Name	Quantity
1	27903	OIL LABEL	1,000
2	13380	STICKER FROM AV98X	1,000
3	37337	STICKER RIGHT	1,000
4	38038	STICKER 4X4	1,000
6	34846	REAR BUMPER	1,000
7	34162	COVER BRACKET	1,000
8	34216	RIGHT COVER	1,000
9	34217	LEFT COVER	1,000
10	34650	REFLEC. STICKER	1,000
11	34306	SCREW M8X16	1,000
12	34308	SCREW M8X16	1,000
13	71223	SCREW M8X50	1,000
14	71413	SCREW HM 8-20	1,000
15	27501	NUT FLANGE M8	1,000

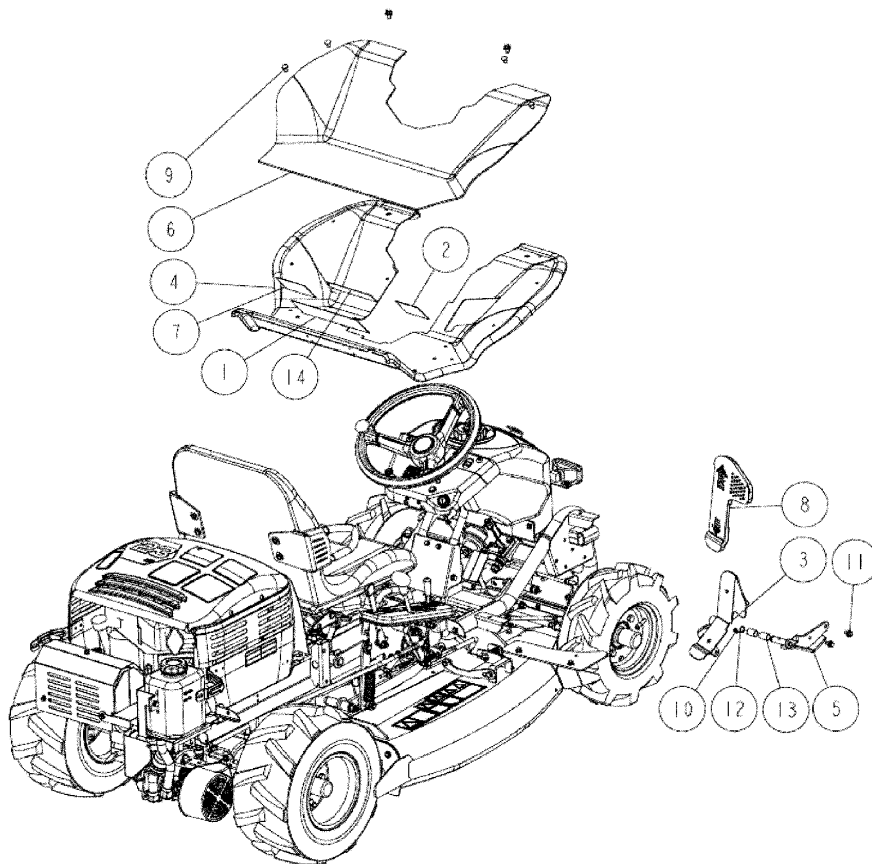
PL01906



03/2012

Number	Part Number	Name	Quantity
1	34801	CLINOMETER INDIC.	1,000
2	34807	SUB FRAME	1,000
3	34838	STICKER	1,000
4	13086	STICKER ETESIA	1,000
5	37338	STICKER	1,000
6	34198	FRONT COVER	1,000
7	9056	BOLT 8X25	1,000
8	5043	NUT	1,000
9	2020	NUT HM8	1,000
10	7335	WASHER	1,000

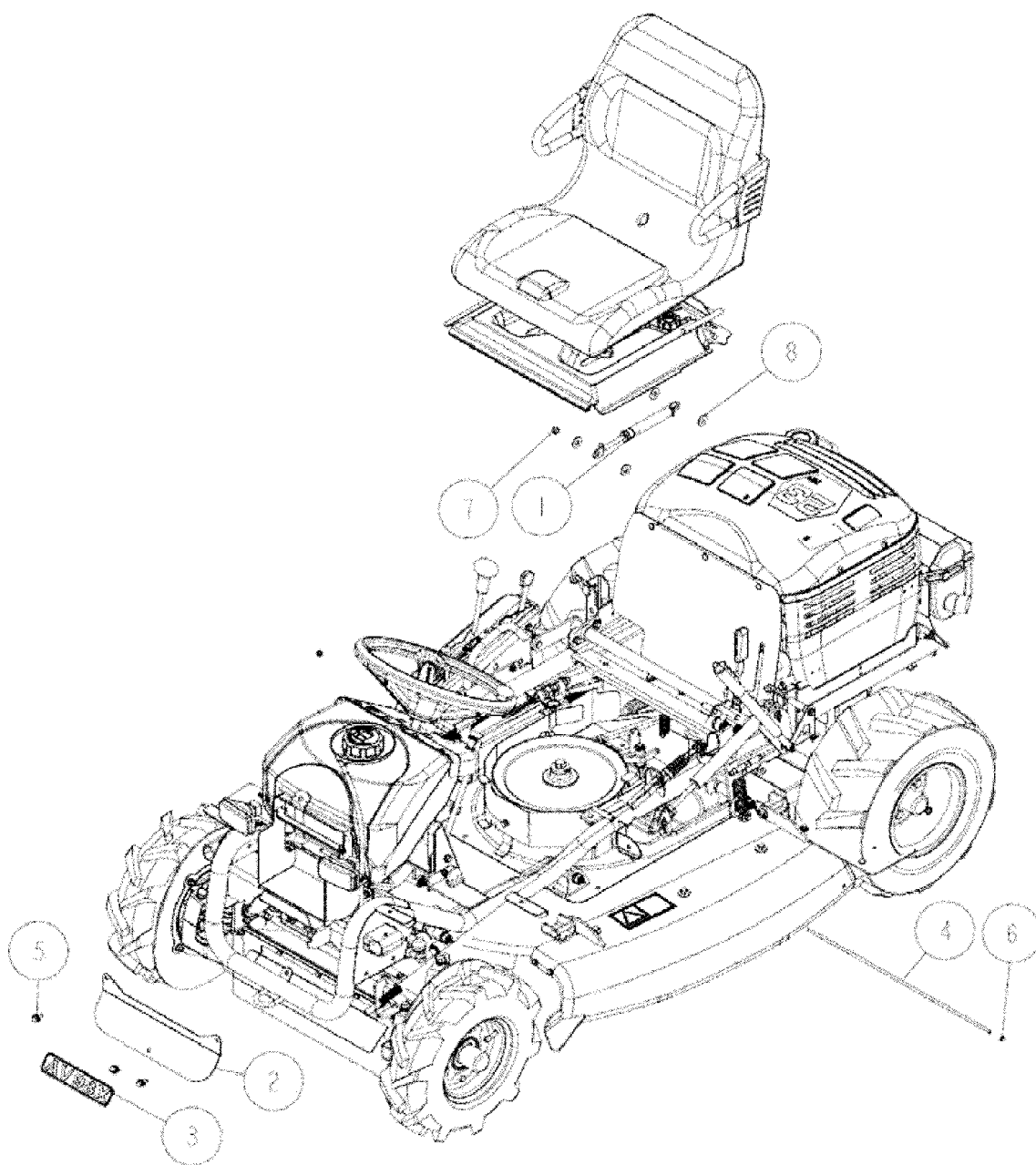
PL01907



03/2012

Number	Part Number	Name	Quantity
1	36959	STICKER	1,000
2	13113	STICKER	1,000
3	34790	PEDAL	1,000
4	34802	RUNNING STEP	1,000
5	34806	PEDAL BRACKET	1,000
6	34804	RUNNING STEP REVET.	1,000
7	13260	STICKER	1,000
8	34578	PEDAL COVERING	1,000
9	27319	GRIP	1,000
10	27360	GREASE NIPPEL M 6	1,000
11	6169	SCREW HM8X16	1,000
12	27365	SNAP RING 16	1,000
13	27612	DU BUSH 16-25	1,000
14	13214		1,000

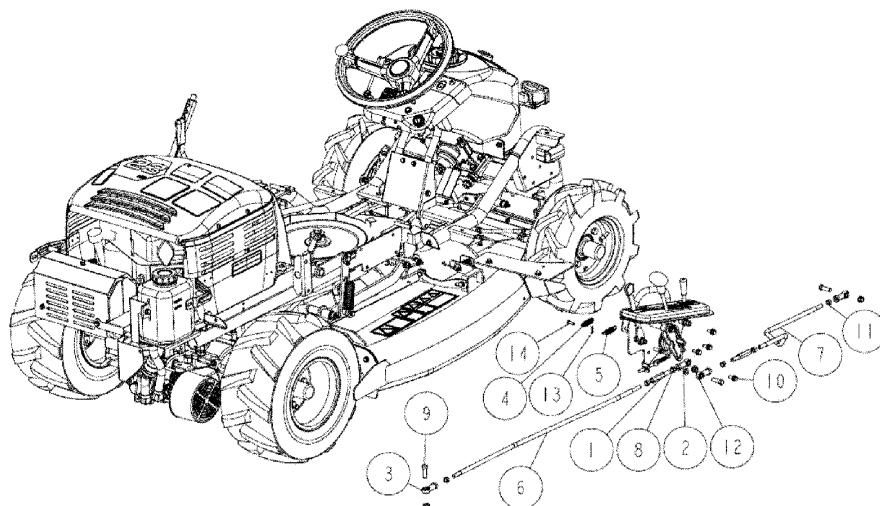
PL01908



03/2012

Number	Part Number	Name	Quantity
1	27695	GAS SPRING KMF50-40	1,000
2	34803	PROTECTION	1,000
3	13368	STICKER AV98X	1,000
4	34160	SEAT BRACKET AXLE	1,000
5	6169	SCREW HM8X16	1,000
6	27370	NUT FLANGE M6	1,000
7	9017	NUT HM10	1,000
8	27322	WASHER 10	1,000

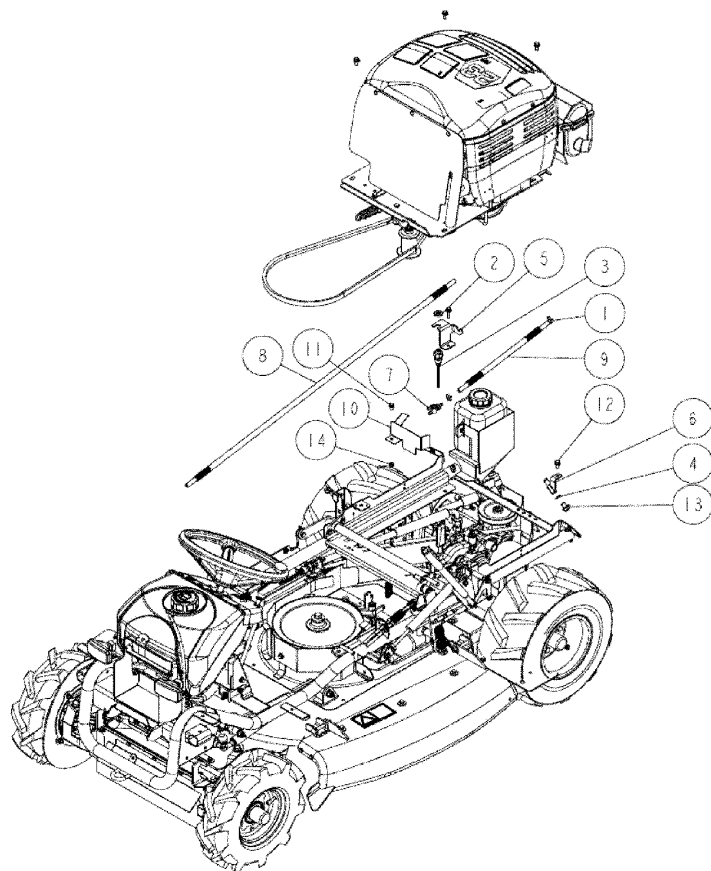
PL01909



03/2012

Number	Part Number	Name	Quantity
1	27329	TURN BACKLE	1,000
2	27206	ROD END HS 10 L	1,000
3	27551	ROD END PHS10EC	1,000
4	34290	SPRING	1,000
5	34104	SPRING	1,000
6	34142	DRIVE ROD	1,000
7	34143	PEDAL ROD	1,000
8	34294	NUT M10 LEFT	1,000
9	34307	SCREW M10X30	1,000
10	71413	SCREW HM 8-20	1,000
11	27231	COUNTER NUT M10X150	1,000
12	9017	NUT HM10	1,000
13	27751	SNAP PIN 6	1,000
14	34335	AXLE 6X20	1,000

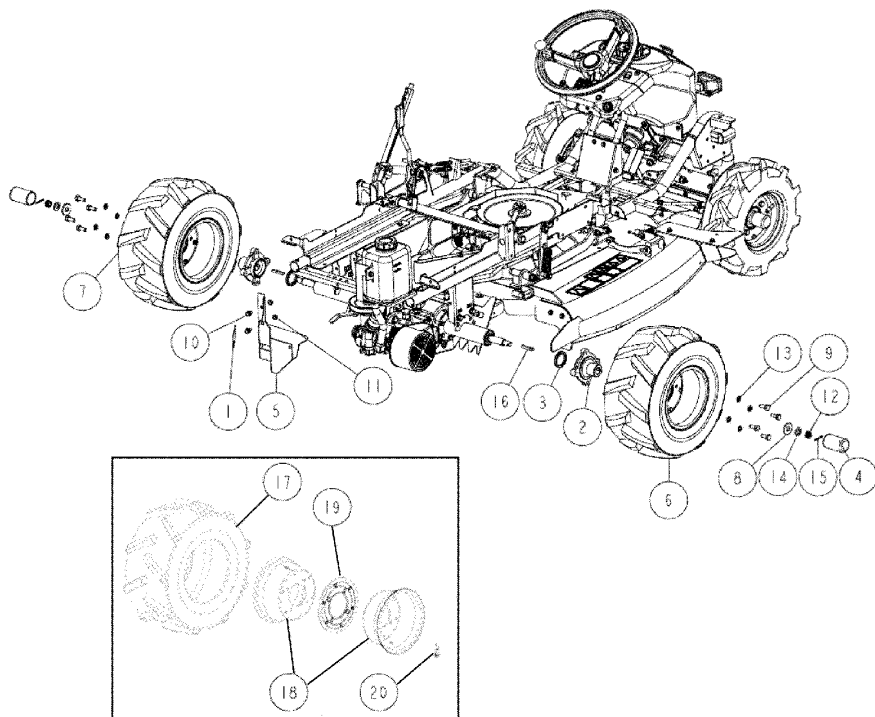
PL01910



03/2012

Number	Part Number	Name	Quantity
1	34288	COLLAR 17	1,000
2	27856	SWITCH LOCK NUT	1,000
3	27855	SAFETY SWITCH	1,000
4	27864	COPPER PACKING	1,000
5	34150	FUEL STOP BRACKET	1,000
6	34171	OIL CHANGE ADAPTER	1,000
7	34248	FUEL STOP VALVE	1,000
8	34250	HOSE	1,000
9	34251	HOSE	1,000
10	34853	PROTECTION	1,000
11	6169	SCREW HM8X16	1,000
12	71413	SCREW HM 8-20	1,000
13	27865	FLANGE BOLT	1,000
14	71205	SCREW M8	1,000

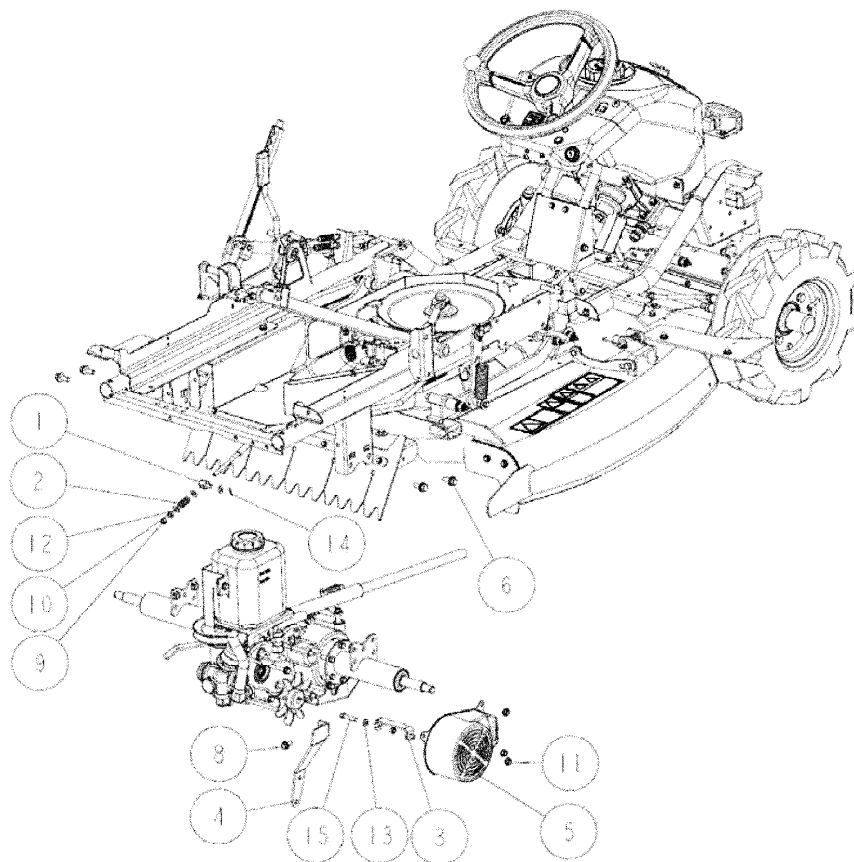
PL01911



03/2012

Number	Part Number	Name	Quantity
1	34580	STICKER	1,000
2	27711	REAR WHEEL BOSS	1,000
3	27712	WHEEL BOS DUST SEAL	1,000
4	34837	WHEEL CAP 75MM	1,000
5	34841	PROTECTION	1,000
6	34264	R. REAR WHEEL AV98	1,000
7	34265	LEFT REAR WHEELAV98	1,000
8	27437	WASHER 16X40X4,5	1,000
9	70086	HEXAGON SCREW,DIN 9	1,000
10	27342	HEG.S. M8X16+WASHE	1,000
11	71205	SCREW M8	1,000
12	27435	NUT M16	1,000
13	71052	SPRING WASHER,DIN 1	1,000
14	27436	SPRING WASHER	1,000
15	34332	PIN 3.5X35	1,000
16	27556	KEY 7X50	1,000
17	34555	REAR TYRE AV98	1,000
18	34556	REAR RIM AV98	1,000
19	34557	REAR RIM SPACER	1,000
20	25575	PROTECTION	1,000

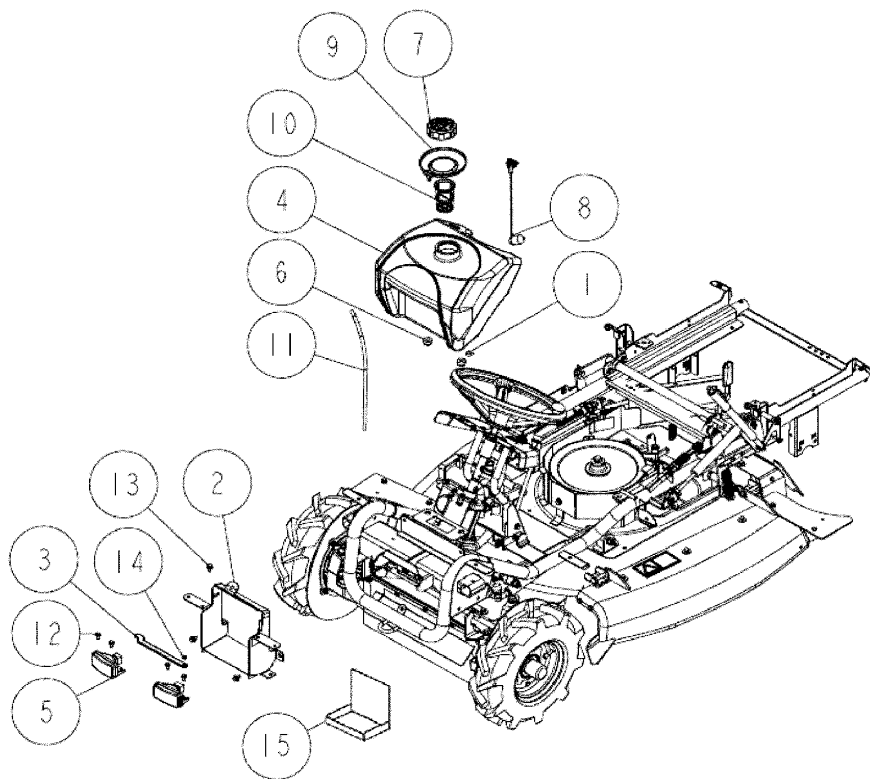
PL01912



03/2012

Number	Part Number	Name	Quantity
1	27820	BRAKE JOINT	1,000
2	27682	BRAKE SPRING	1,000
3	34781	FIXING PLATE	1,000
4	34784	BRACKET	1,000
5	34787	FLYWHEEL GRID	1,000
6	70086	HEXAGON SCREW,DIN 9	1,000
8	71413	SCREW HM 8-20	1,000
9	71205	SCREW M8	1,000
10	2020	NUT HM8	1,000
11	27501	NUT FLANGE M8	1,000
12	7335	WASHER	1,000
13	71343	SPRING WASHER A8	1,000
14	27337	SPLINT PIN 2X15	1,000
15	27504	BOLT+WASHER M8X35	1,000

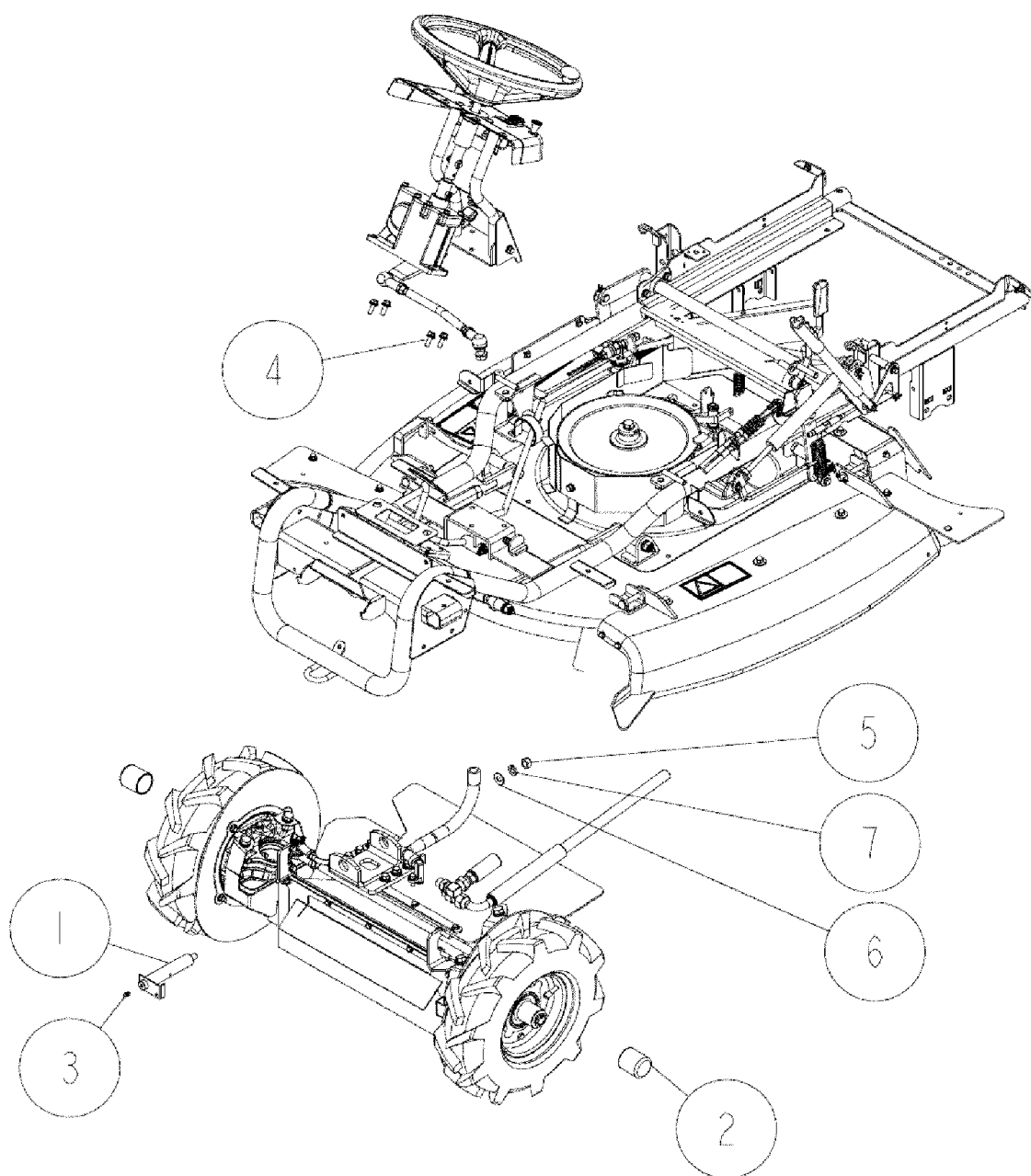
PL01913



03/2012

Number	Part Number	Name	Quantity
1	34288	COLLAR 17	1,000
2	34844	BATTERY BRACKET	1,000
3	34200	BRACKET	1,000
4	34218	FUEL TANK	1,000
5	34240	FRONT LIGHT AV98	1,000
6	34244	BUSH	1,000
7	34257	FUEL TANK PLUG	1,000
8	34258	FUEL TANK LEVEL	1,000
9	34259	TUBE GUIDE	1,000
10	34260	FILTER	1,000
11	34262	HOSE	1,000
12	37997	SCREW HM6-16 8.8	1,000
13	6169	SCREW HM8X16	1,000
14	71201	NUT M6	1,000
15	27517	CUSHION RUBBER	1,000

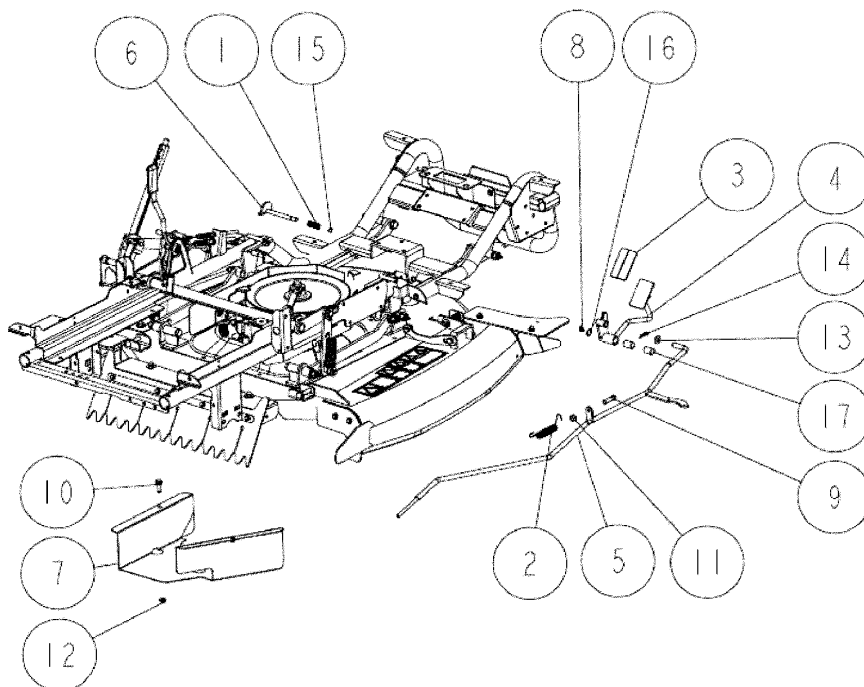
PL01914



03/2012

Number	Part Number	Name	Quantity
1	34821	AXLE SHAFT	1,000
2	34836	WHEEL CAP 50MM	1,000
3	27246	GREASE NIPPEL	1,000
4	9056	BOLT 8X25	1,000
5	1541	HEXAGON NUT,DIN 934	1,000
6	34325	WASHER 12	1,000
7	27353	SPRING WASHER A12	1,000

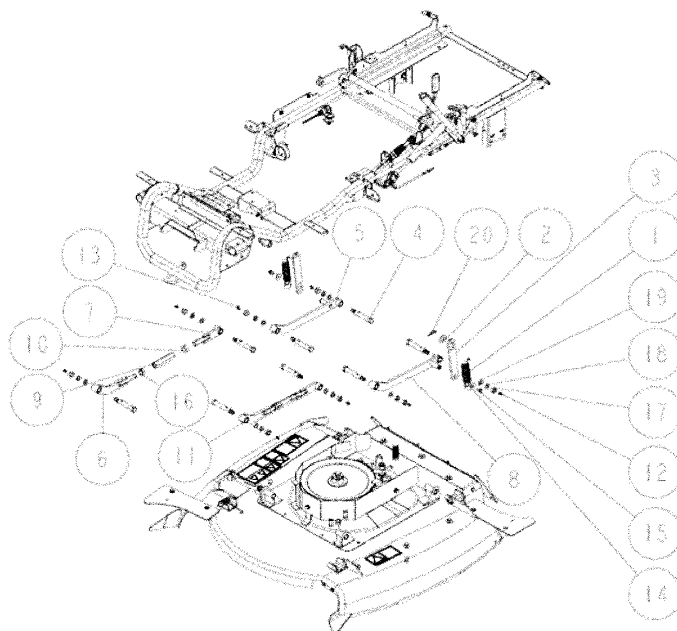
PL01915



03/2012

Number	Part Number	Name	Quantity
1	34854	SPRING	1,000
2	27936	SPRING	1,000
3	27224	PEDAL RUBBER	1,000
4	34791	BRAKE PEDAL	1,000
5	34792	BRAKE PEDAL ROD	1,000
6	34800	BRAKE PEDAL STOP	1,000
7	34764	PROTECTION	1,000
8	27246	GREASE NIPPEL	1,000
9	71242	HEX.SCREW HM10X35	1,000
10	9061	BOLT 8X30	1,000
11	27231	COUNTER NUT M10X150	1,000
12	71205	SCREW M8	1,000
13	34320	WASHER 12	1,000
14	27566	SNAP RING 12	1,000
15	20559	CIRCLIPS 10	1,000
16	27365	SNAP RING 16	1,000
17	27612	DU BUSH 16-25	1,000

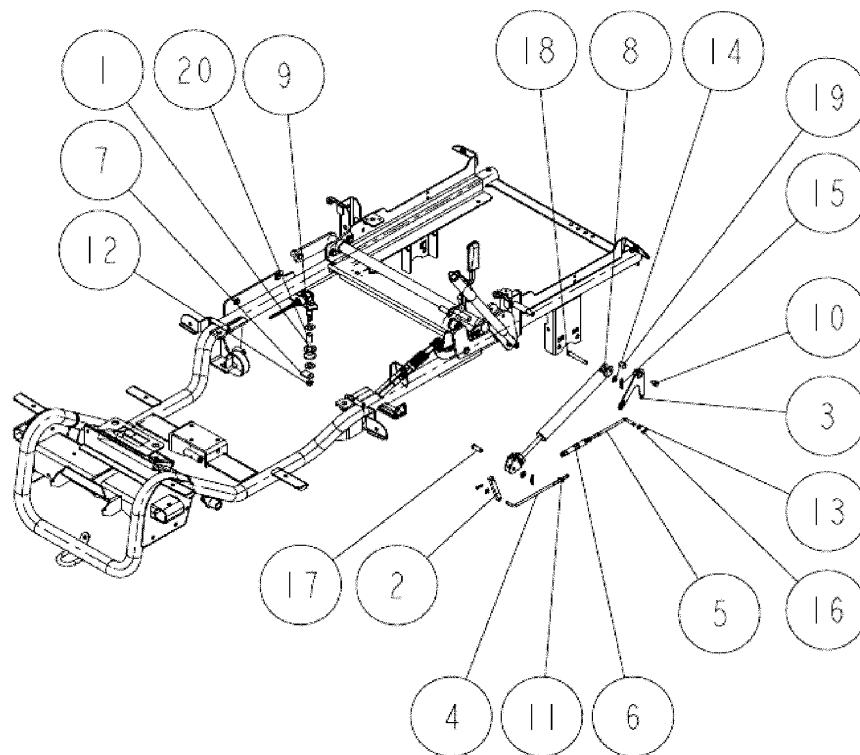
PL01916



03/2012

Number	Part Number	Name	Quantity
1	27875	SPRING	1,000
2	27749	WASHER 16X32X3,2	1,000
3	34799	PLATE	1,000
4	34195	LINK SHAFT	1,000
5	34597	REAR RIGHT ARM	1,000
6	34596	FRONT RIGHT ARM	1,000
7	34595	FRONT ARM	1,000
8	34594	REAR LEFT ARM	1,000
9	34593	CUT.HEIGHT ADJUSTM.	1,000
10	34591	NUT M16 LEFT	1,000
11	34850	ARM	1,000
12	27246	GREASE NIPPEL	1,000
13	27360	GREASE NIPPEL M 6	1,000
14	27940	WASHER 8X25X2,3	1,000
15	6169	SCREW HM8X16	1,000
16	34598	NUT M16	1,000
17	71157	NUT AUTOFR.HM12	1,000
18	34320	WASHER 12	1,000
19	27353	SPRING WASHER A12	1,000
20	34334	PIN	1,000

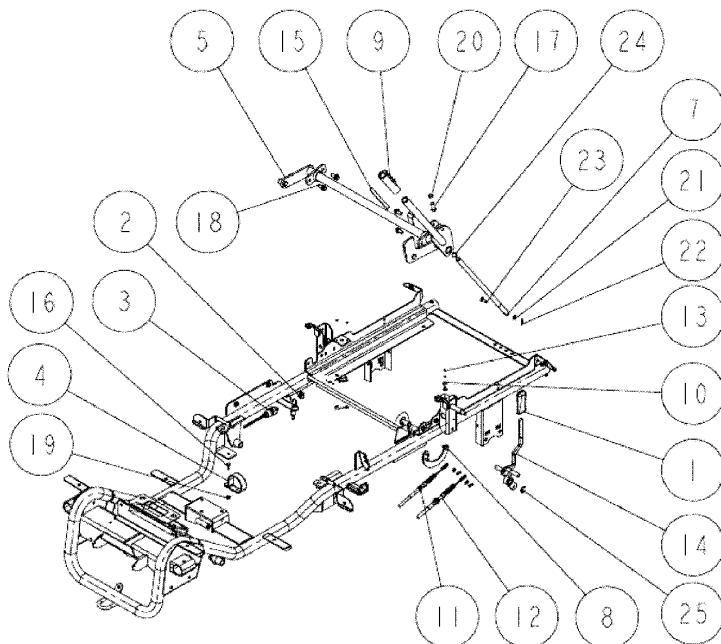
PL01917



03/2012

Number	Part Number	Name	Quantity
1	34289	PULLEY	1,000
2	34124	LEVER	1,000
3	34126	LEVER	1,000
4	34127	LEFT ROD	1,000
5	34128	RIGHT ROD	1,000
6	34129	ADJUST ROD	1,000
7	34164	BRAKE PLATE	1,000
8	34583	GAS JACK	1,000
9	27390	WASHER 12X24X1	1,000
10	34105	SCREW M6X12	1,000
11	1557	NUT HM6	1,000
12	34315	NUT 8	1,000
13	34318	WASHER 6	1,000
14	34319	WASHER 8X18X1,6	1,000
15	27324	SNAP PIN 8	1,000
16	27751	SNAP PIN 6	1,000
17	34336	AXLE 8X28	1,000
18	27299	FLAT HEADED PIN 8X6	1,000
19	34341	BUSH 10-15 DU	1,000
20	27520	BUSH MB 122 ODV	1,000

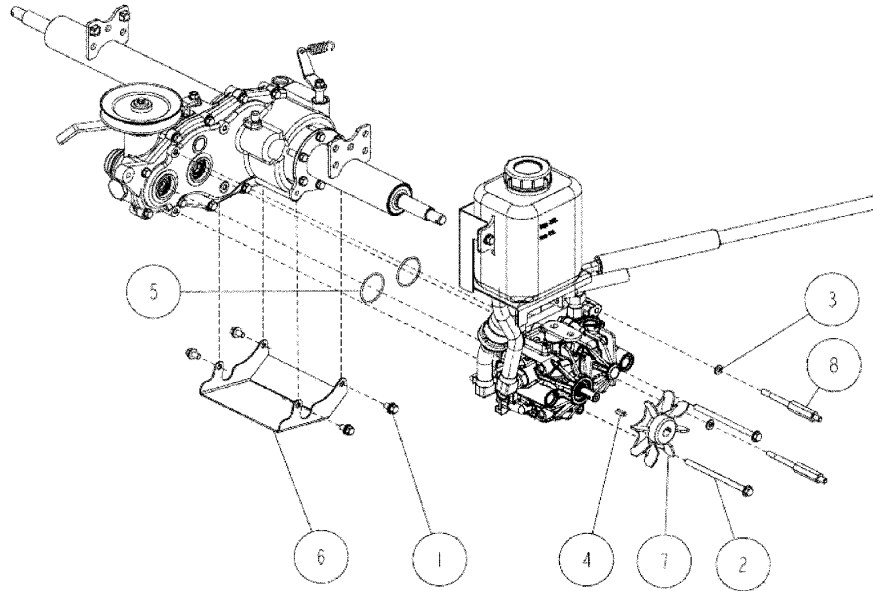
PL01918



03/2012

Number	Part Number	Name	Quantity
1	27281	ARM GRIP	1,000
2	27856	SWITCH LOCK NUT	1,000
3	27855	SAFETY SWITCH	1,000
4	34773	WIRING FIXING	1,000
5	34796	UP/DOWN ADJUS.SHAFT	1,000
7	34125	CUTTING HEIGHT ROD	1,000
8	34141	CABLE PLATE	1,000
9	34219	GRIP	1,000
10	34228	SPRING	1,000
11	34234	KNIFE BRAKE WIRE	1,000
12	34235	CUTTING CLUTCH WIRE	1,000
13	34249	RIVET	1,000
14	34542	BLADE LEVER	1,000
15	34282	STICKER CUT.HEIGHT	1,000
16	37997	SCREW HM6-16 8.8	1,000
17	70086	HEXAGON SCREW,DIN 9	1,000
18	34309	SCREW M8X20	1,000
19	34313	NUT 6	1,000
20	2020	NUT HM8	1,000
21	34318	WASHER 6	1,000
22	27751	SNAP PIN 6	1,000
23	34335	AXLE 6X20	1,000
24	34338	CIRCLIP 13	1,000
25	27313	SNAP RING E TYPE 12	1,000

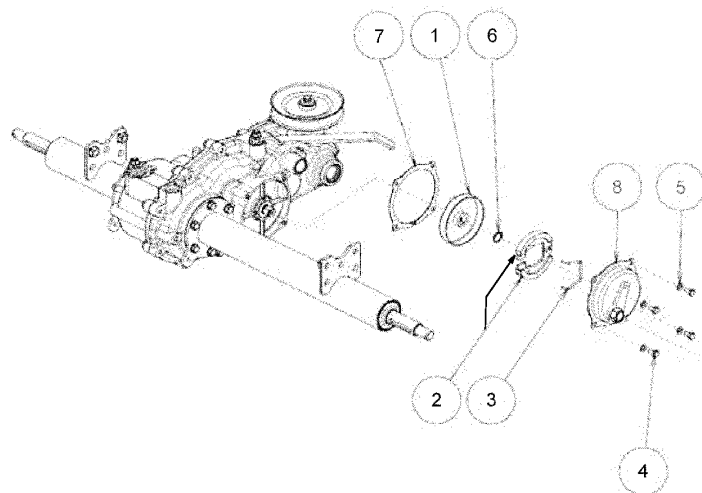
PL01920



03/2012

Number	Part Number	Name	Quantity
1	6169	SCREW HM8X16	1,000
2	34857	SCREW M8X130	1,000
3	71343	SPRING WASHER A8	1,000
4	27690	KEY 5X20	1,000
5	27838	O-RING G45	1,000
6	27845	MISSION GUARD	1,000
7	34767	FLYWHEEL	1,000
8	34782	THREADED SPACER	1,000

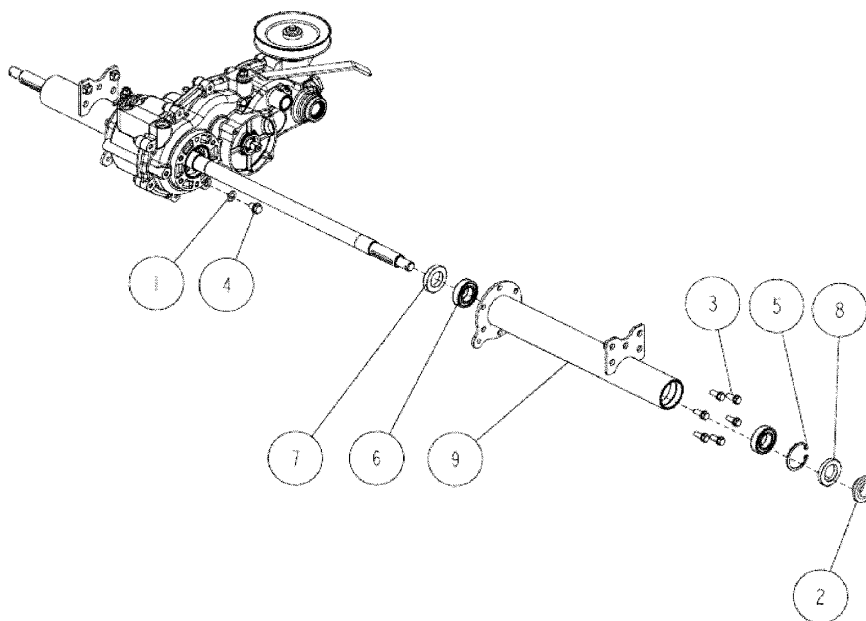
PL01921



03/2012

Number	Part Number	Name	Quantity
1	27453	BRAKE DRUM (PA-7)	1,000
2	27455	BRAKE SHOE SET	1,000
3	34285	SPRING	1,000
4	27457	HEXA.SCREW M6X12 8T	1,000
5	71049	SPRING WASHER,DIN 1	1,000
6	71047	CIRCLIP DIN 471 15X	1,000
7	34585	GASKET	1,000
8	27819	BRAKE CAP ASSY	1,000

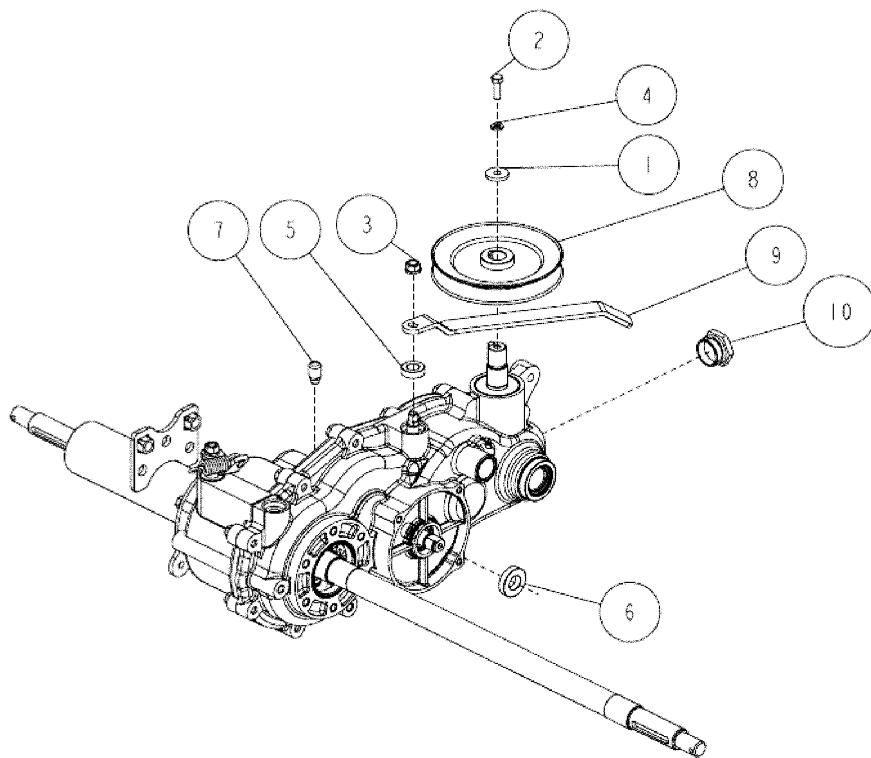
PL01922



03/2012

Number	Part Number	Name	Quantity
1	27535	WASHER 10,5X18X1,6	1,000
2	27441	OIL SEAL AP 30X47X7	1,000
3	27446	SCREW 8X20 + WASHER	1,000
4	27605	SCREW M10-12 (125)	1,000
5	27442	SNAP RING 47	1,000
6	27653	BEARING 6005	1,000
7	34345	GASKET 28.47.8	1,000
8	34346	GASKET 30.47.7	1,000
9	34117	LEFT SHAFT CASE	1,000

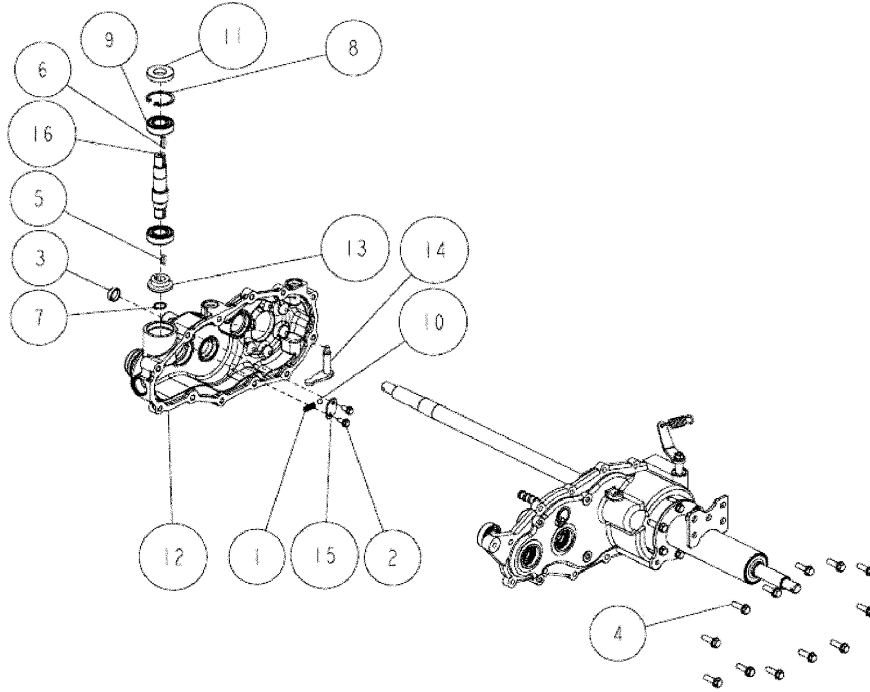
PL01923



03/2012

Number	Part Number	Name	Quantity
1	27220	WASHER 6,5X22X3,2	1,000
2	20507	BOLT HM 6X20	1,000
3	34315	NUT 8	1,000
4	71049	SPRING WASHER,DIN 1	1,000
5	27806	OIL SEAL 12X22X7	1,000
6	27818	OIL SEAL UE 15X30X7	1,000
7	27829	AIR BLEEZER	1,000
8	27799	TRANSMISSION PULLEY	1,000
9	27952	SUB CHANGE ARM	1,000
10	34670	PLUG + GASKET	1,000

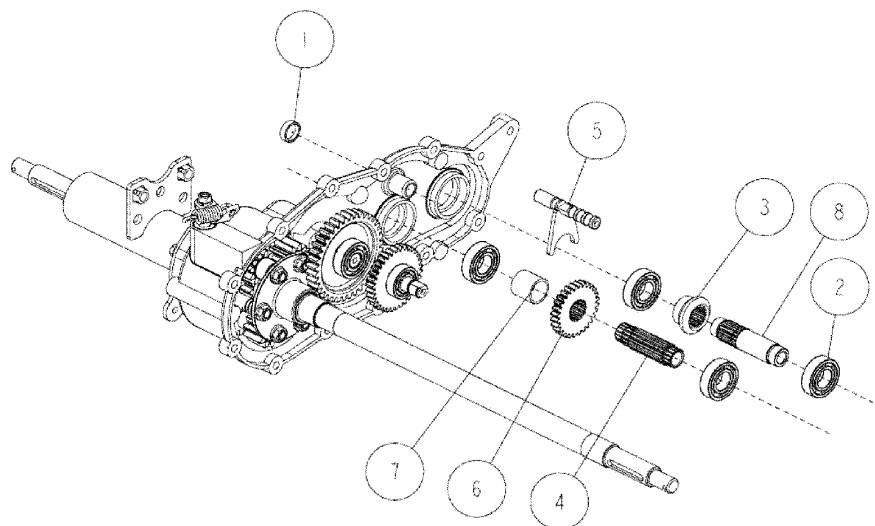
PL01924



03/2012

Number	Part Number	Name	Quantity
1	27803	SPRING 1,4	1,000
2	27805	TAB TIGHT M6X14	1,000
3	27831	BLACK CAP 22	1,000
4	27830	HEX.TAP TIGHT M8X25	1,000
5	27794	KEY 5X16	1,000
6	27796	KEY 5X20	1,000
7	27376	SNAP RING 17	1,000
8	27797	SNAP RING 42	1,000
9	27651	BEARING 6004	1,000
10	27802	STEEL BALL D.8	1,000
11	34681	GASKET	1,000
12	27791	TRANSMIS.CASE LEFT	1,000
13	27795	20T SPIR.MITA GEAR	1,000
14	27800	SWING ARM	1,000
15	27804	SHIFT SPRING HOLDER	1,000
16	34664	INPUT SHAFT	1,000

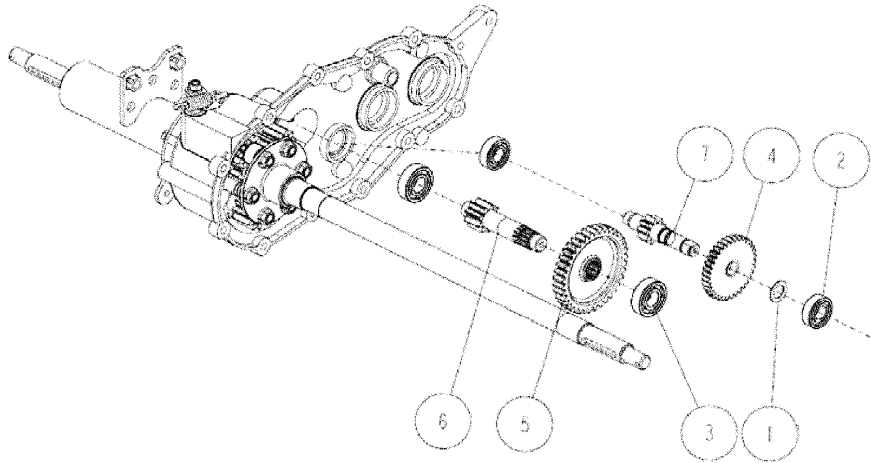
PL01925



03/2012

Number	Part Number	Name	Quantity
1	27831	BLACK CAP 22	1,000
2	27651	BEARING 6004	1,000
3	27809	20T SPIRAL MIT GEAR	1,000
4	27810	C AXLE	1,000
5	27801	SHIFT FORK	1,000
6	27953	SHIFT GEAR	1,000
7	27954	COLLAR	1,000
8	34765	AXLE B	1,000

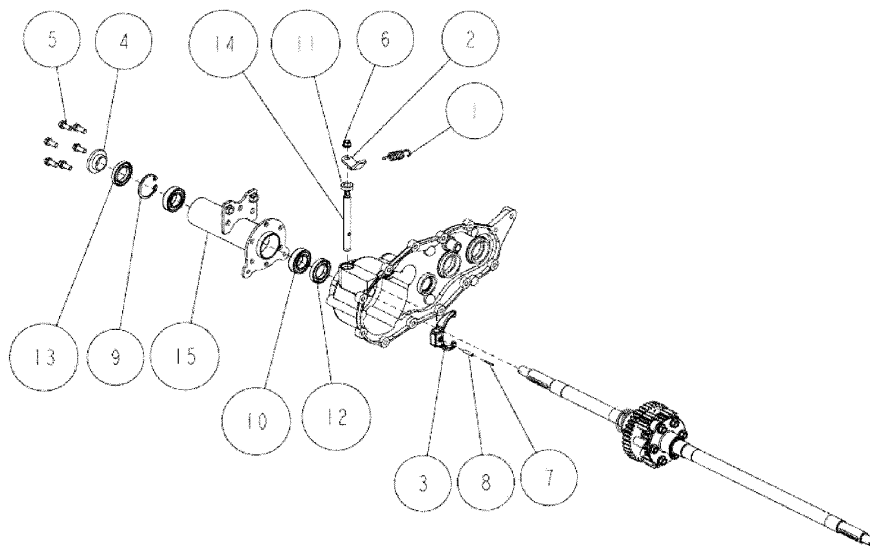
PL01926



03/2012

Number	Part Number	Name	Quantity
1	27813	WASHER 15X24X1	1,000
2	40465	BEARING 6202	1,000
3	27649	BEARING 6203	1,000
4	27816	BRAKE SHAFT 34TGEAR	1,000
5	27821	D AXLE 37T GEAR	1,000
6	27533	D. AXLE	1,000
7	34690	BRAKE AXLE	1,000

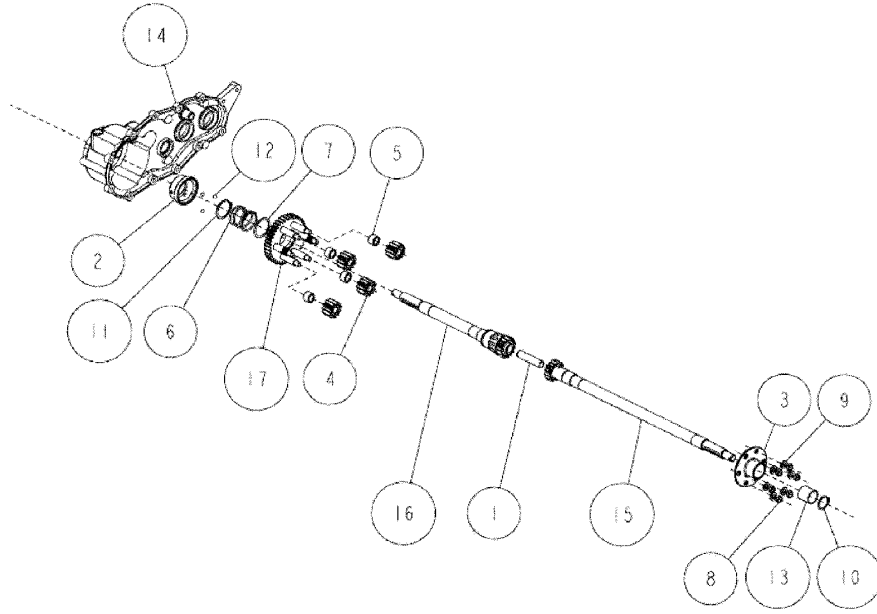
PL01927



03/2012

Number	Part Number	Name	Quantity
1	27307	SPRING	1,000
2	27500	DIFFERENT.LOCK ARM	1,000
3	27464	FORK	1,000
4	27441	OIL SEAL AP 30X47X7	1,000
5	27446	SCREW 8X20 + WASHER	1,000
6	34315	NUT 8	1,000
7	27824	SPRING PIN 3X20	1,000
8	27465	SPRING PIN 5X22	1,000
9	27442	SNAP RING 47	1,000
10	27653	BEARING 6005	1,000
11	27806	OIL SEAL 12X22X7	1,000
12	34345	GASKET 28.47.8	1,000
13	34346	GASKET 30.47.7	1,000
14	27822	DIF.LOCK FORK SHAFT	1,000
15	34118	RIGHT SHAFT CASE	1,000

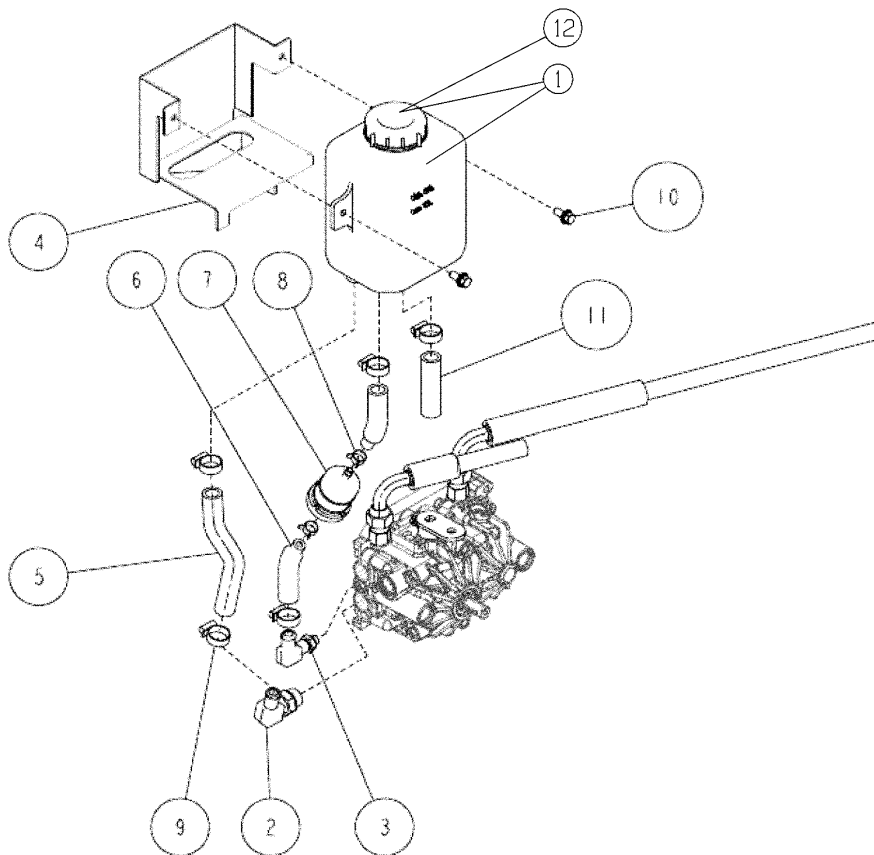
PL01928



03/2012

Number	Part Number	Name	Quantity
1	27490	AXLE PIN	1,000
2	27485	DIFF.LOCK CONE	1,000
3	27492	DIFF.LOCK PLATE	1,000
4	27495	DIFF.LOCK GEAR 11T	1,000
5	27496	AXLE COLLAR DIFF.	1,000
6	27486	DIFF.LOCK SPRING	1,000
7	27487	WASHER 40X48X1,0	1,000
8	34317	NUT 10	1,000
9	71052	SPRING WASHER,DIN 1	1,000
10	27494	SNAP RING 28	1,000
11	27638	OUT.CIRCLIP 40	1,000
12	27481	STEEL BALL DIA.7,5	1,000
13	27493	BUSH 28.30	1,000
14	27792	TRANSMIS.CASE RIGHT	1,000
15	27686	AXLE LEFT	1,000
16	27718	AXLE RIGHT	1,000
17	27534	AXLE GEAR CMP	1,000

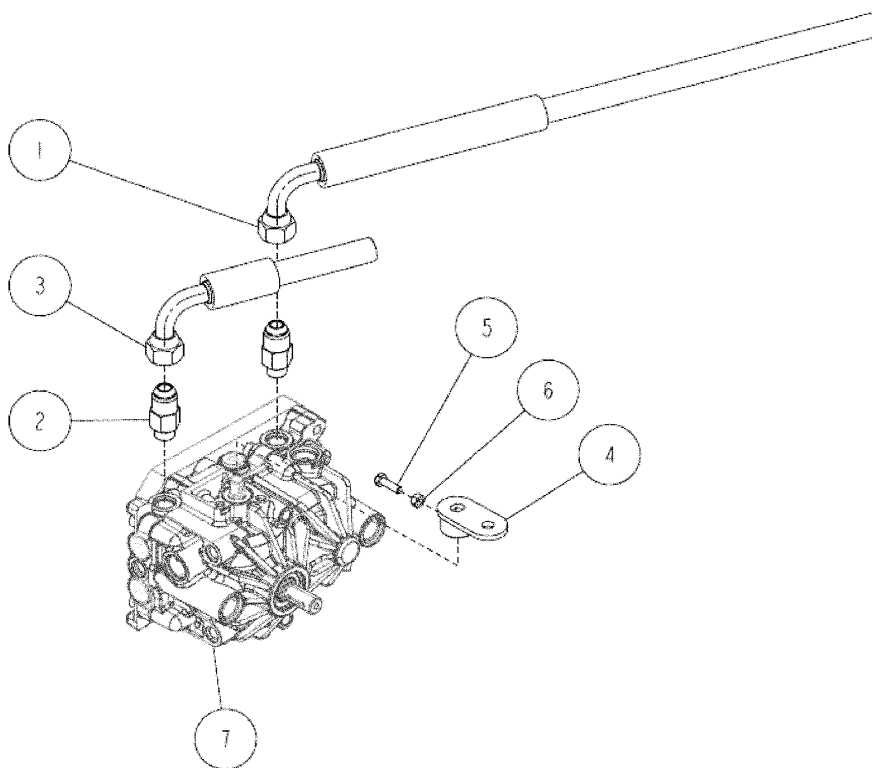
PL01929



02/2014

Number	Part Number	Name	Quantity
1	34766	COMPENSATION TANK	1,000
2	34776	HOSE CONNEC. 7/8-14	1,000
3	34777	HOSE CONNECT. G1/4	1,000
4	34783	COMP. TANK BRACKET	1,000
5	34785	HOSE	1,000
6	34786	HOSE	1,000
7	34762	OIL FILTER AV98X	1,000
8	34788	COLLAR	1,000
9	27965	HOSE BAND 24	1,000
10	34309	SCREW M8X20	1,000
11	34770	HOSE	1,000
12	34867	TANK CAP	1,000

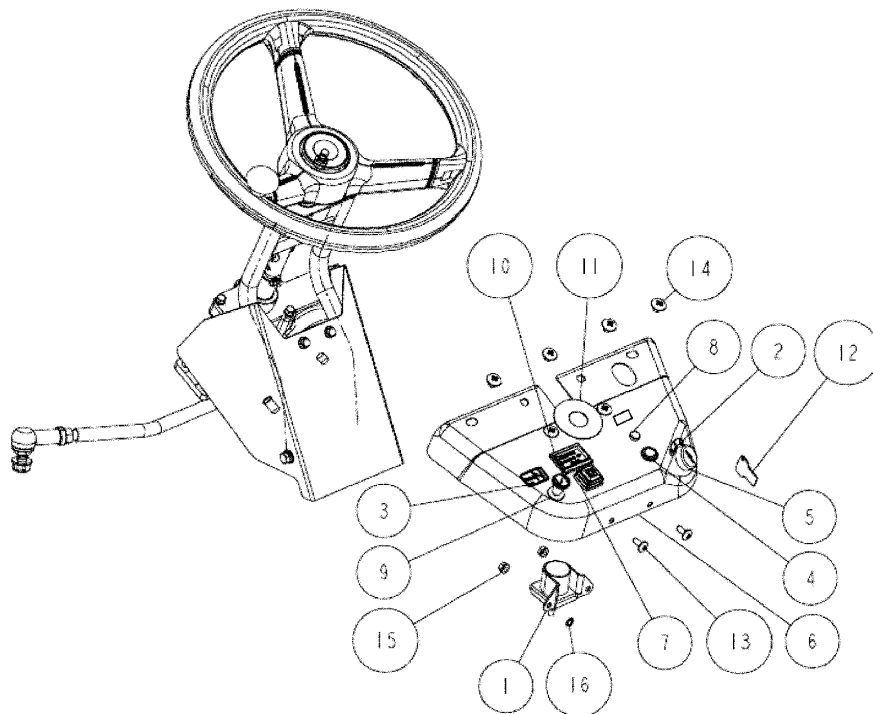
PL01930



03/2012

Number	Part Number	Name	Quantity
1	34768	HOSE 1590MM	1,000
2	34771	HOSE CONNECTION	1,000
3	34775	HOSE 1670MM	1,000
4	34780	CONTROL LEVER	1,000
5	20507	BOLT HM 6X20	1,000
6	1557	NUT HM6	1,000
7	34789	HST UNIT AV98X	1,000

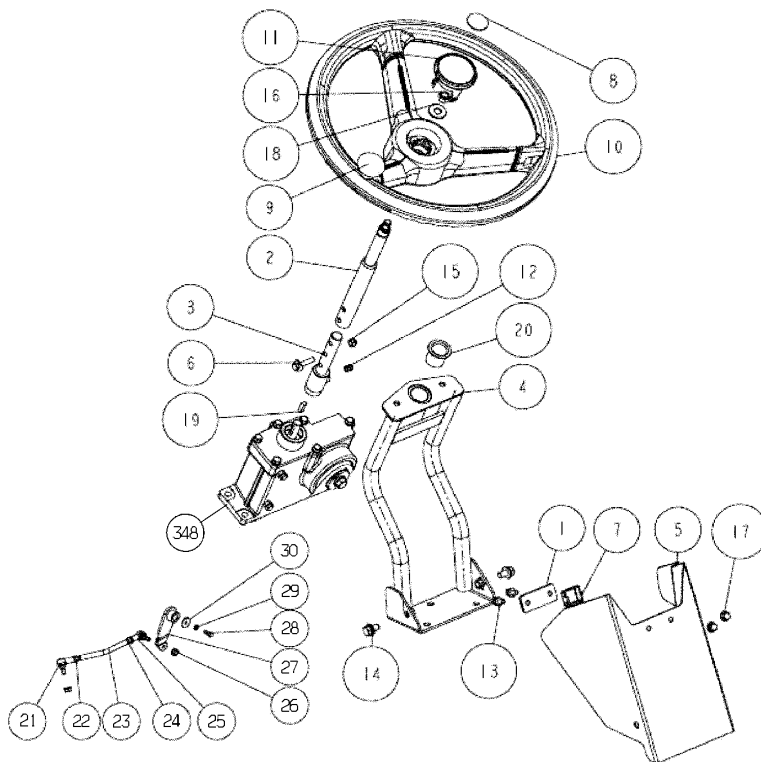
PL01931



03/2012

Number	Part Number	Name	Quantity
1	27241	MAGNETIC SWITCH	1,000
2	13121	LABEL KEY	1,000
3	13118	STARTER STICKER	1,000
4	27991	INDICATOR	1,000
5	34103	KEY SWITCH+2 KEYS	1,000
6	34146	DASH BOARD AV98	1,000
7	34220	SWITCH	1,000
8	34221	ENGINE OIL INDICAT.	1,000
9	34237	STARTER LEVER	1,000
10	34245	HOUR COUNTER	1,000
11	34252	STEERG SHAFT WASHER	1,000
12	34253	HOOD KEY	1,000
13	34304	SCREW M6X16	1,000
14	34305	SCREW M8X10	1,000
15	34314	NUT 6	1,000
16	34328	TOOTHED WASHER 6	1,000
17	13258	OIL PRESSURE STICK.	1,000

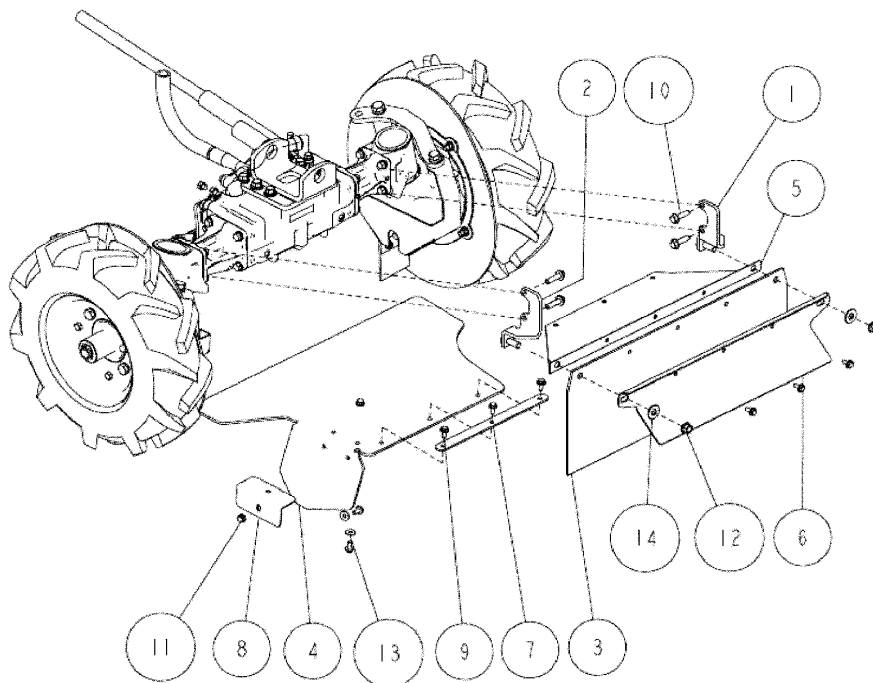
PL01932



03/2012

Number	Part Number	Name	Quantity
1	27992	FUSE BRACKET	1,000
2	34793	UPPER STEER. SHAFT	1,000
3	34794	LOWER STEER SHAFT	1,000
4	34805	BRACKET	1,000
5	34845	STEERING COVER	1,000
6	34254	STEERG SHAFT SCREW	1,000
7	34263	FUSE HOLDER COVER	1,000
8	25330	BADGE - ETESIA	1,000
9	27637	STEERING WHEEL	1,000
10	27430	STEERING WHEEL	1,000
11	34661	STEERING CAP	1,000
12	34296	SCREW M8X10	1,000
13	38408	SCREW HM6-16 8,8	1,000
14	34308	SCREW M8X16	1,000
15	71201	NUT M6	1,000
16	9017	NUT HM10	1,000
17	27370	NUT FLANGE M6	1,000
18	34323	WASHER 10	1,000
19	27690	KEY 5X20	1,000
20	34344	BUSH 10-25-33 DU	1,000
21	34231	LEFT STEERING ELBOW	1,000
22	34247	NUT M12 LEFT	1,000
23	34820	STEERING ROD	1,000
24	34316	NUT M12	1,000
25	34230	RIGH.STEERING ELBOW	1,000
26	34232	NUT M12 P1.25	1,000
27	34795	CONTROL LEVER	1,000
28	70086	HEXAGON SCREW,DIN 9	1,000
29	71052	SPRING WASHER,DIN 1	1,000
30	34855	WASHER 10X36X3,2	1,000
348	34864	STEERING BOX	1,000

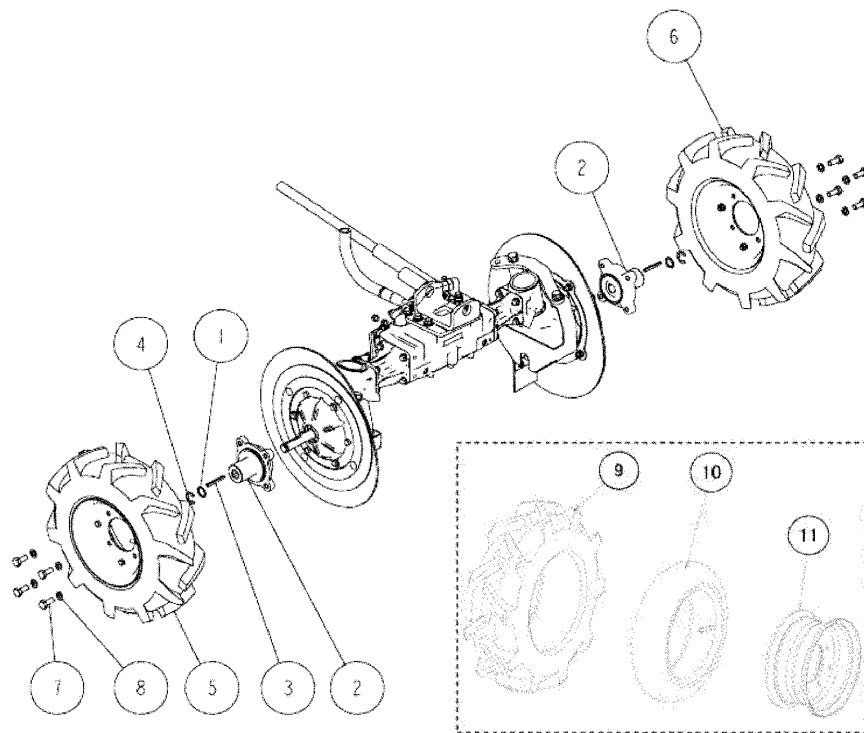
PL01933



03/2012

Number	Part Number	Name	Quantity
1	34817	BRACKET	1,000
2	34818	EXPORT	1,000
3	34832	RUBBER FLAPPER	1,000
4	34833	RUBBER FLAPPER	1,000
5	34834	RUB FLAP FIX	1,000
6	34839	PROTECTION	1,000
7	34208	UP.RUB.FLAPP.BRACKE	1,000
8	34851	RUB.FLAP.FIXING	1,000
9	34302	SCREW M6X15	1,000
10	9061	BOLT 8X30	1,000
11	27370	NUT FLANGE M6	1,000
12	9017	NUT HM10	1,000
13	34322	WASHER 6	1,000
14	34323	WASHER 10	1,000

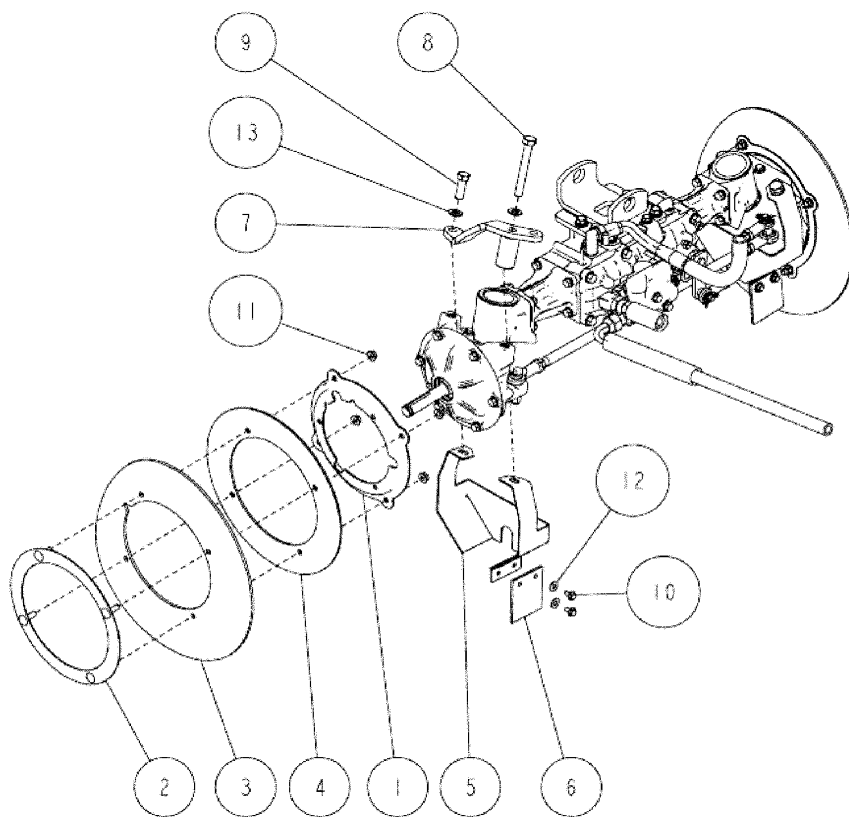
PL01934



03/2012

Number	Part Number	Name	Quantity
1	34763	WASHER 19X25X1	1,000
2	34808	WHEEL BOSS	1,000
3	34822	KEY 3/16X3/16X50	1,000
4	1513	CIRCLIP 15	1,000
5	34599	RIGHT FRONT WHEEL7"	1,000
6	34600	LEFT FRONT WHEEL 7"	1,000
7	70086	HEXAGON SCREW,DIN 9	1,000
8	71052	SPRING WASHER,DIN 1	1,000
9	34601	FRONT TYRE 7" AV98	1,000
10	27387	INNER O AIR TUBE FR	1,000
11	27393	FRONT RIM	1,000

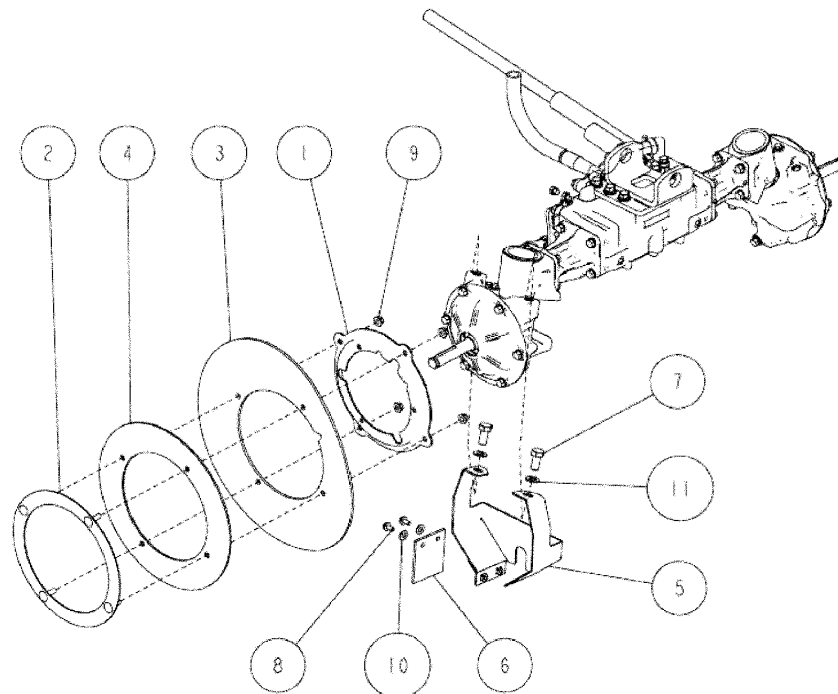
PL01935



03/2012

Number	Part Number	Name	Quantity
1	34809	FLAP.FIX.CROWN	1,000
2	34810	STUD FIX. CROWN	1,000
3	34811	RUBBER FLAPPER	1,000
4	34812	RUBBER FLAPPER	1,000
5	34814	PROTECTION	1,000
6	34815	RUBBER FLAPPER	1,000
7	34816	ARM	1,000
8	34856	SCREW M12X95	1,000
9	34110	SCREW HM12X35	1,000
10	38408	SCREW HM6-16 8,8	1,000
11	27501	NUT FLANGE M8	1,000
12	34319	WASHER 8X18X1,6	1,000
13	34320	WASHER 12	1,000

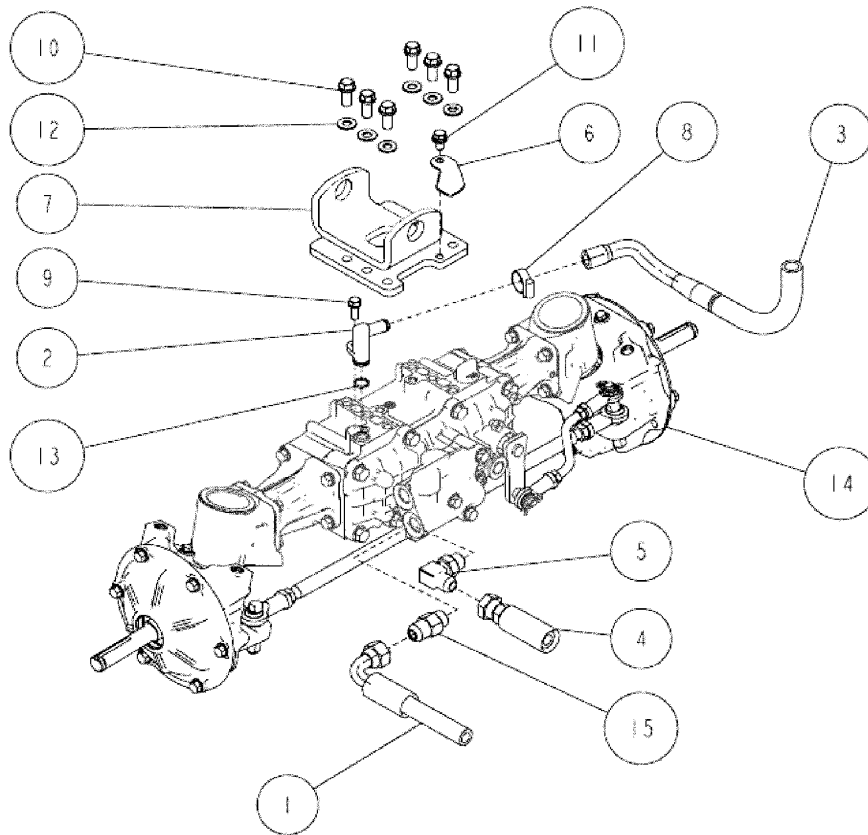
PL01936



03/2012

Number	Part Number	Name	Quantity
1	34809	FLAP.FIX.CROWN	1,000
2	34810	STUD FIX. CROWN	1,000
3	34811	RUBBER FLAPPER	1,000
4	34812	RUBBER FLAPPER	1,000
5	34813	PROTECTION	1,000
6	34815	RUBBER FLAPPER	1,000
7	71324	H.SCREW M12X25 8,8	1,000
8	38408	SCREW HM6-16 8,8	1,000
9	27501	NUT FLANGE M8	1,000
10	34319	WASHER 8X18X1,6	1,000
11	34320	WASHER 12	1,000

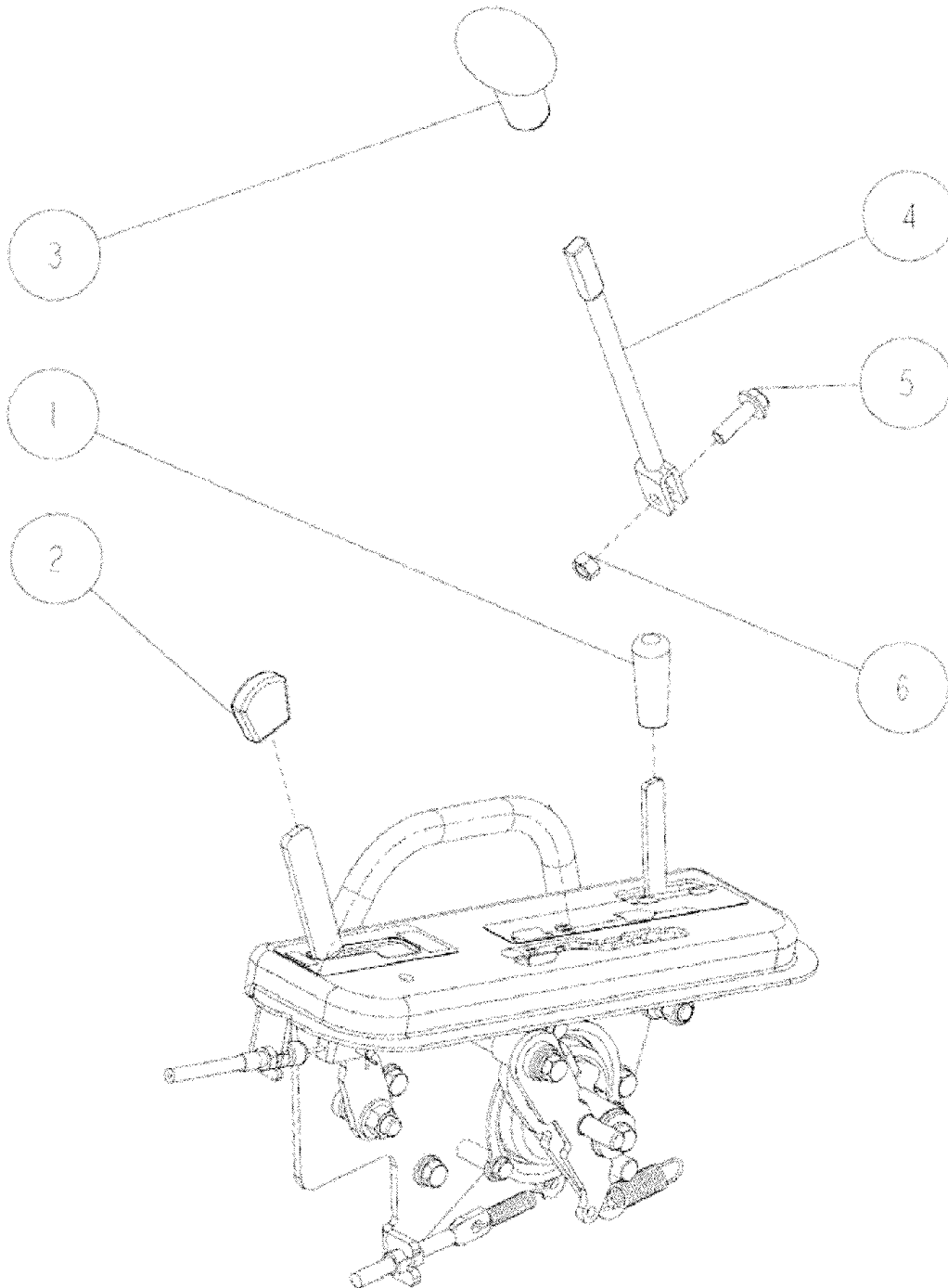
PL01937



03/2012

Number	Part Number	Name	Quantity
1	34768	HOSE 1590MM	1,000
2	34769	HYDR.CORNER COUPLIN	1,000
3	34770	HOSE	1,000
4	34775	HOSE 1670MM	1,000
5	34778	ADJUST HYD. COUP.	1,000
6	34779	HOSE FIXING	1,000
7	34819	FRONT AXLE BRACKET	1,000
8	27965	HOSE BAND 24	1,000
9	71413	SCREW HM 8-20	1,000
10	70086	HEXAGON SCREW,DIN 9	1,000
11	34308	SCREW M8X16	1,000
12	34327	WASHER 10	1,000
13	34858	O-RING 14	1,000
14	34774	FRONT HST UNIT	1,000
15	34772	HOSE CONNECTION	1,000

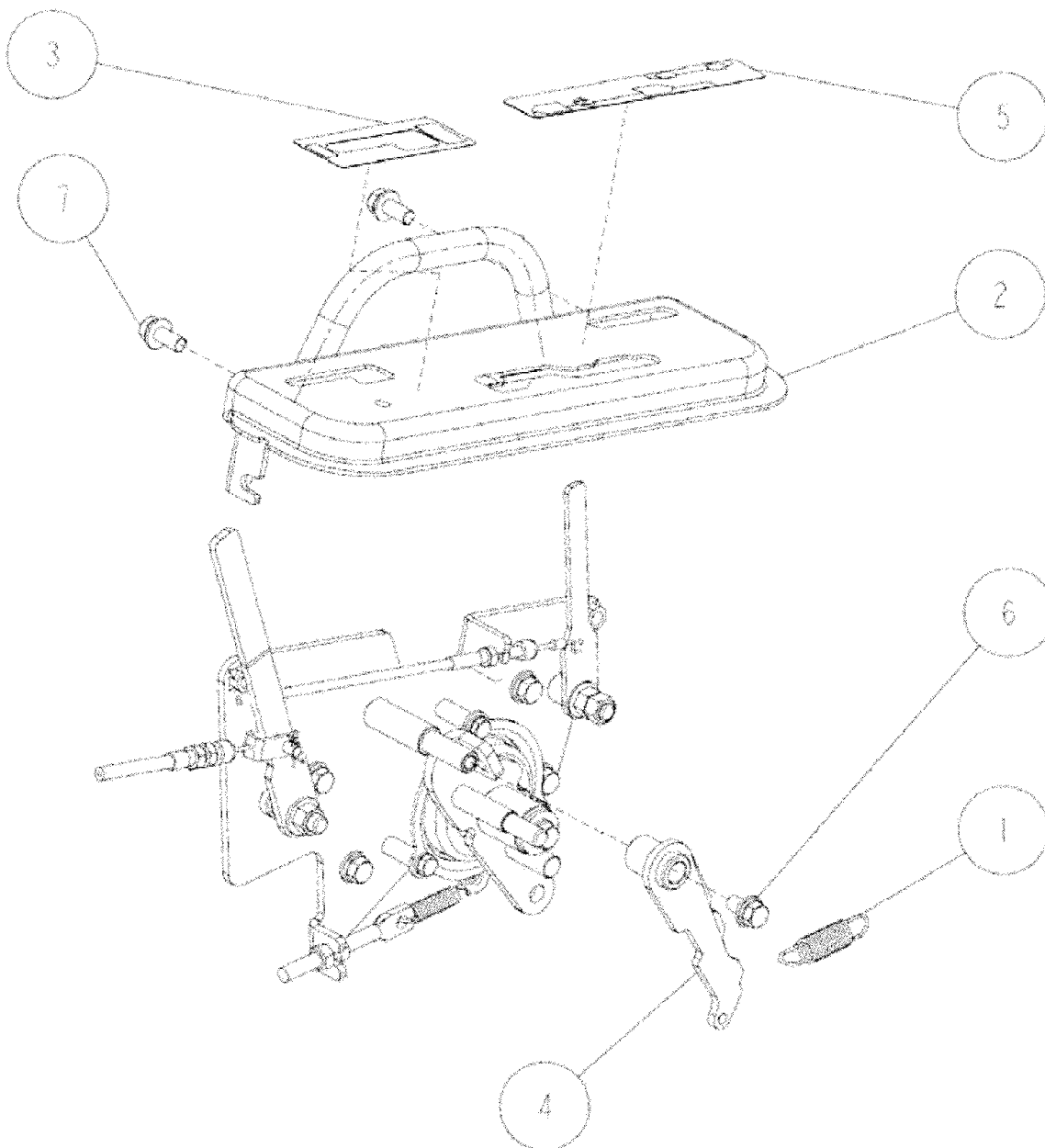
PL01938



03/2012

Number	Part Number	Name	Quantity
1	27770	LEVER GRIP	1,000
2	27922	LEVER GRIP	1,000
3	34106	GRIP	1,000
4	34147	DRIVE LEVER	1,000
5	34310	SCREW M8X25	1,000
6	71205	SCREW M8	1,000

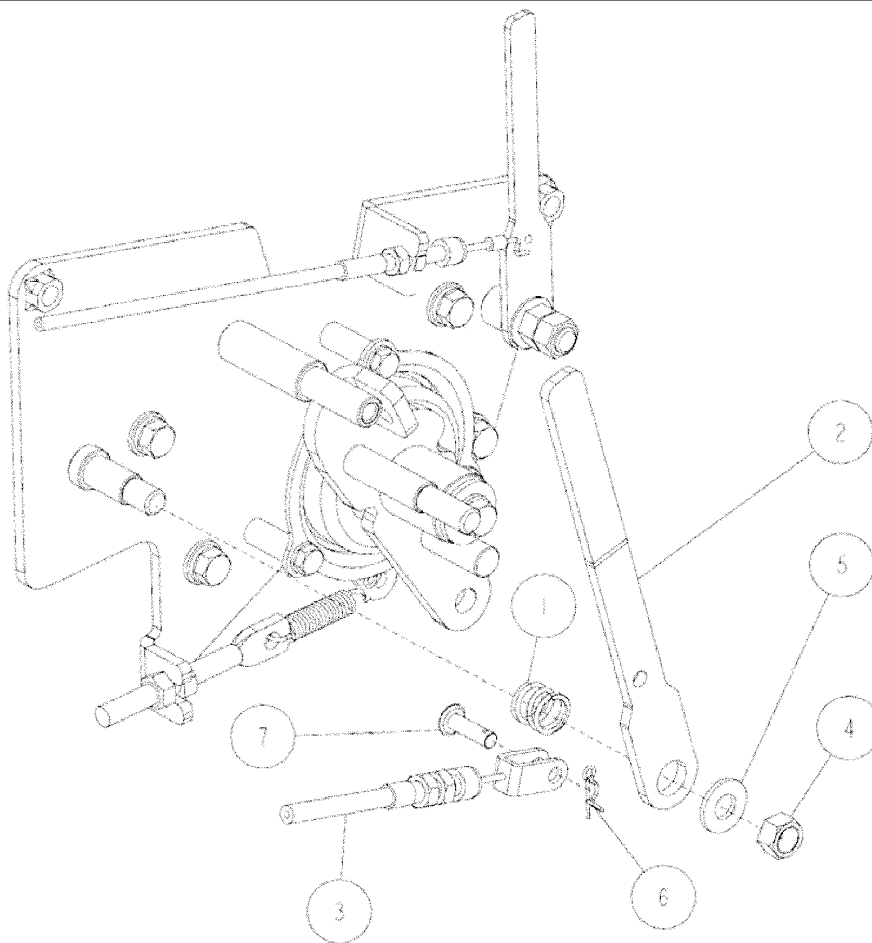
PL01939



03/2012

Number	Part Number	Name	Quantity
1	34104	SPRING	1,000
2	34797	GUIDING	1,000
3	13271		1,000
4	34132	LEVER	1,000
5	13256	SPEED DRIVE STICKER	1,000
6	34308	SCREW M8X16	1,000
7	34309	SCREW M8X20	1,000

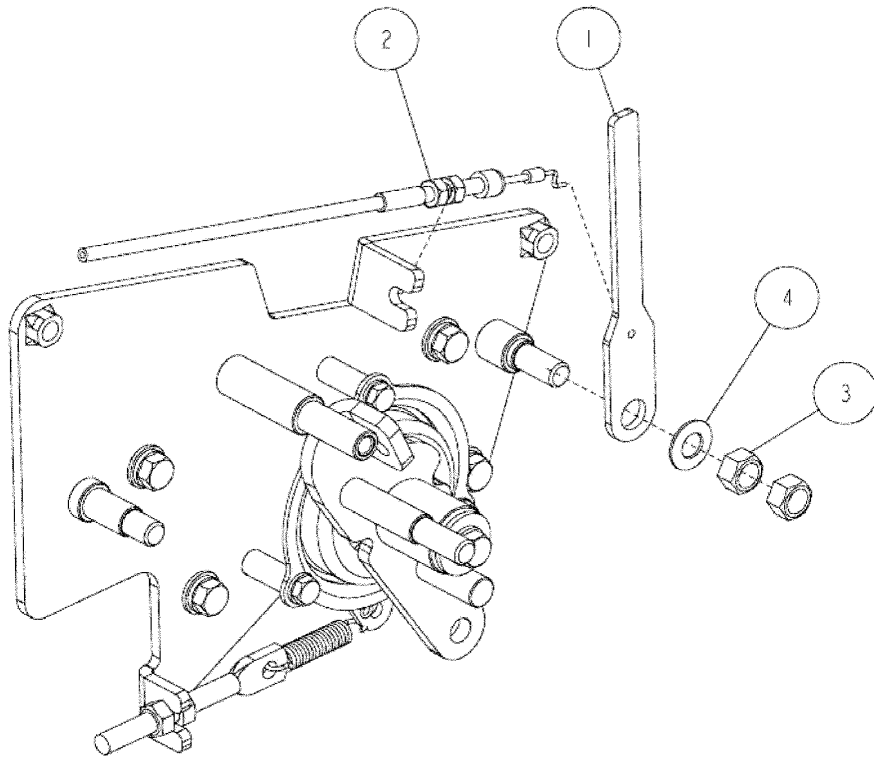
PL01940



03/2012

Number	Part Number	Name	Quantity
1	27304	CTRL.SHAFT SPRING	1,000
2	34798	DIFF. LOCK LEVER	1,000
3	34236	DIFFEREN.LOCK CABLE	1,000
4	9017	NUT HM10	1,000
5	34321	WASHER 10X21X2	1,000
6	27751	SNAP PIN 6	1,000
7	34335	AXLE 6X20	1,000

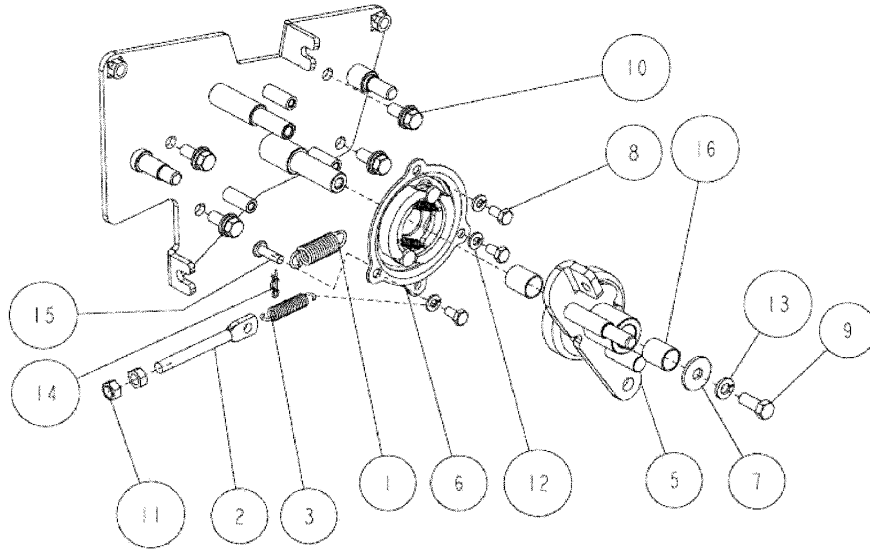
PL01941



03/2012

Number	Part Number	Name	Quantity
1	34133	THROTTLE LEVER	1,000
2	34233	THROTTLE WIRE	1,000
3	71158	HEXAGONAL NUT HM10	1,000
4	34330	WASHER H10	1,000

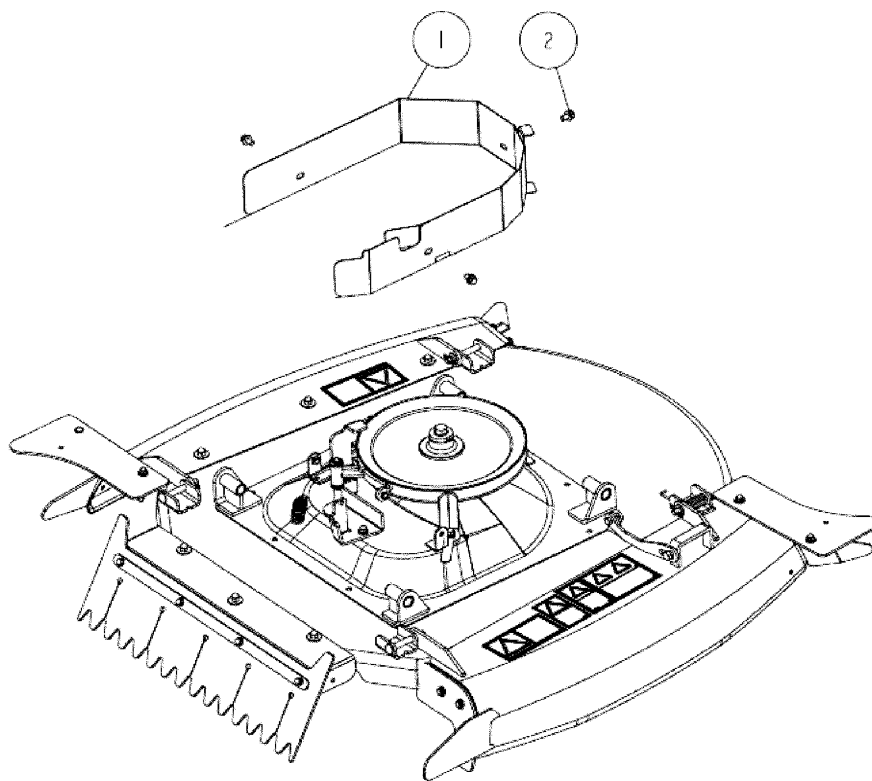
PL01942



03/2012

Number	Part Number	Name	Quantity
1	34290	SPRING	1,000
2	27756	CHANGE BRAKE ADJUST	1,000
3	34111	SPRING	1,000
5	34131	BRAKE STEERING	1,000
6	34136	BRAKE	1,000
7	27940	WASHER 8X25X2,3	1,000
8	27457	HEXA.SCREW M6X12 8T	1,000
9	71413	SCREW HM 8-20	1,000
10	34309	SCREW M8X20	1,000
11	2020	NUT HM8	1,000
12	71049	SPRING WASHER,DIN 1	1,000
13	71343	SPRING WASHER A8	1,000
14	27751	SNAP PIN 6	1,000
15	34335	AXLE 6X20	1,000
16	34342	BUSH 15-20 DU	1,000

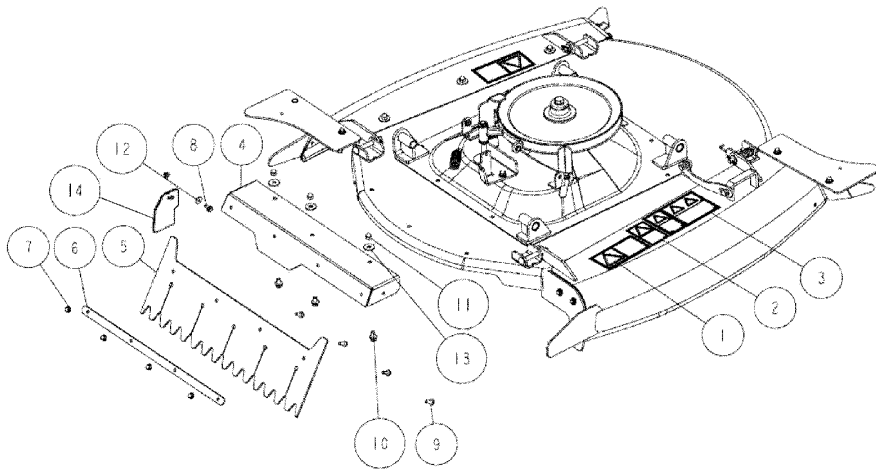
PL01943



03/2012

Number	Part Number	Name	Quantity
1	34840	PROTECTION	1,000
2	34308	SCREW M8X16	1,000

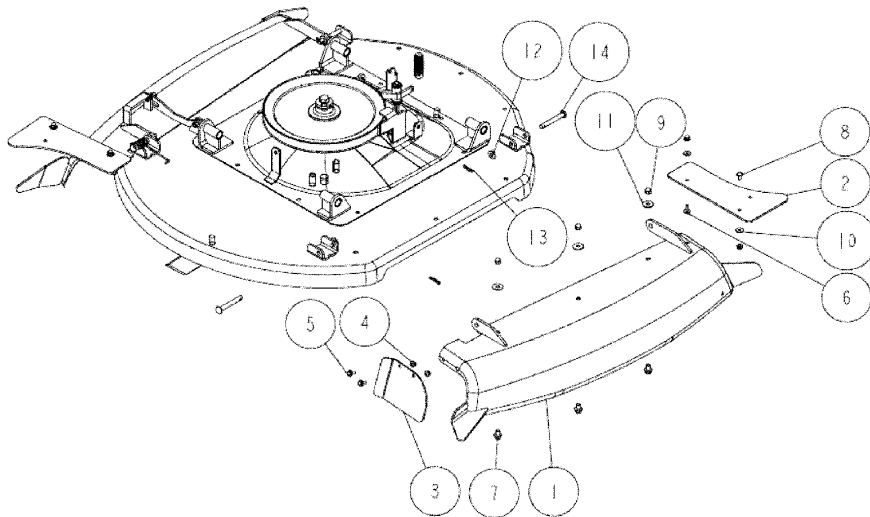
PL01944



03/2012

Number	Part Number	Name	Quantity
1	13089	ETIQ. TRAPPE FR.	1,000
2	13064	STICKER COLER OPEN	1,000
3	13062	STICKER CUT-DECK	1,000
4	34203	-> 44069	1,000
5	34204	RUBBER FLAPPER	1,000
6	34205	FRONTGUARD	1,000
7	27370	NUT FLANGE M6	1,000
8	34302	SCREW M6X15	1,000
9	27893	SCREW HM6X20+WASHER	1,000
10	6169	SCREW HM8X16	1,000
11	5043	NUT	1,000
12	34322	WASHER 6	1,000
13	34326	WASHER 8	1,000
14	34215	RUBBER FLAPPER	1,000

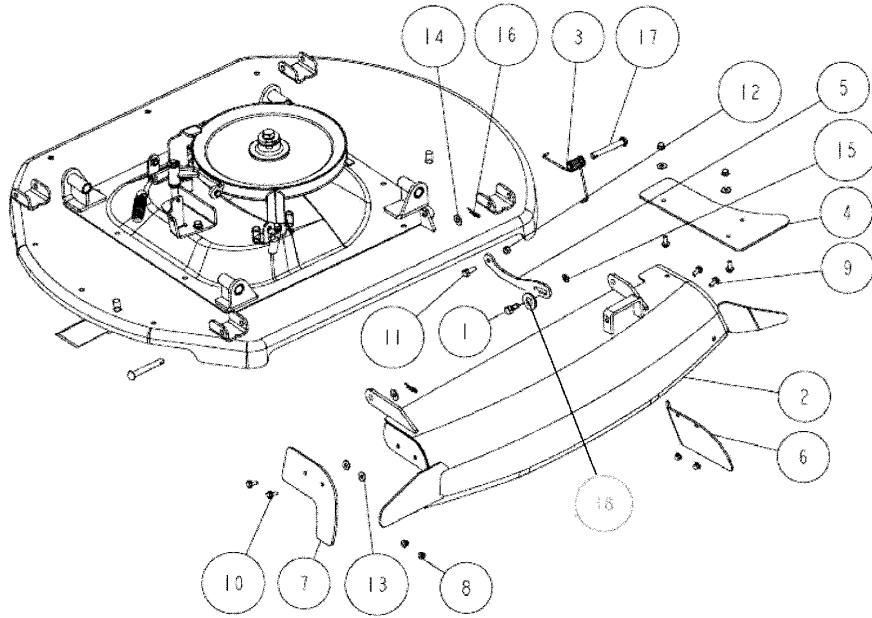
PL01945



03/2012

Number	Part Number	Name	Quantity
1	34842	LEFT DEFLECTOR	1,000
2	34587	RUBBER FLAPPER	1,000
3	34279	FRONT LEFT COVER	1,000
4	71201	NUT M6	1,000
5	34302	SCREW M6X15	1,000
6	27893	SCREW HM6X20+WASHER	1,000
7	34308	SCREW M8X16	1,000
8	27347	HEX. SCREW M6X14	1,000
9	5043	NUT	1,000
10	34322	WASHER 6	1,000
11	34326	WASHER 8	1,000
12	34327	WASHER 10	1,000
13	34333	PIN	1,000
14	34337	-> 43979	1,000

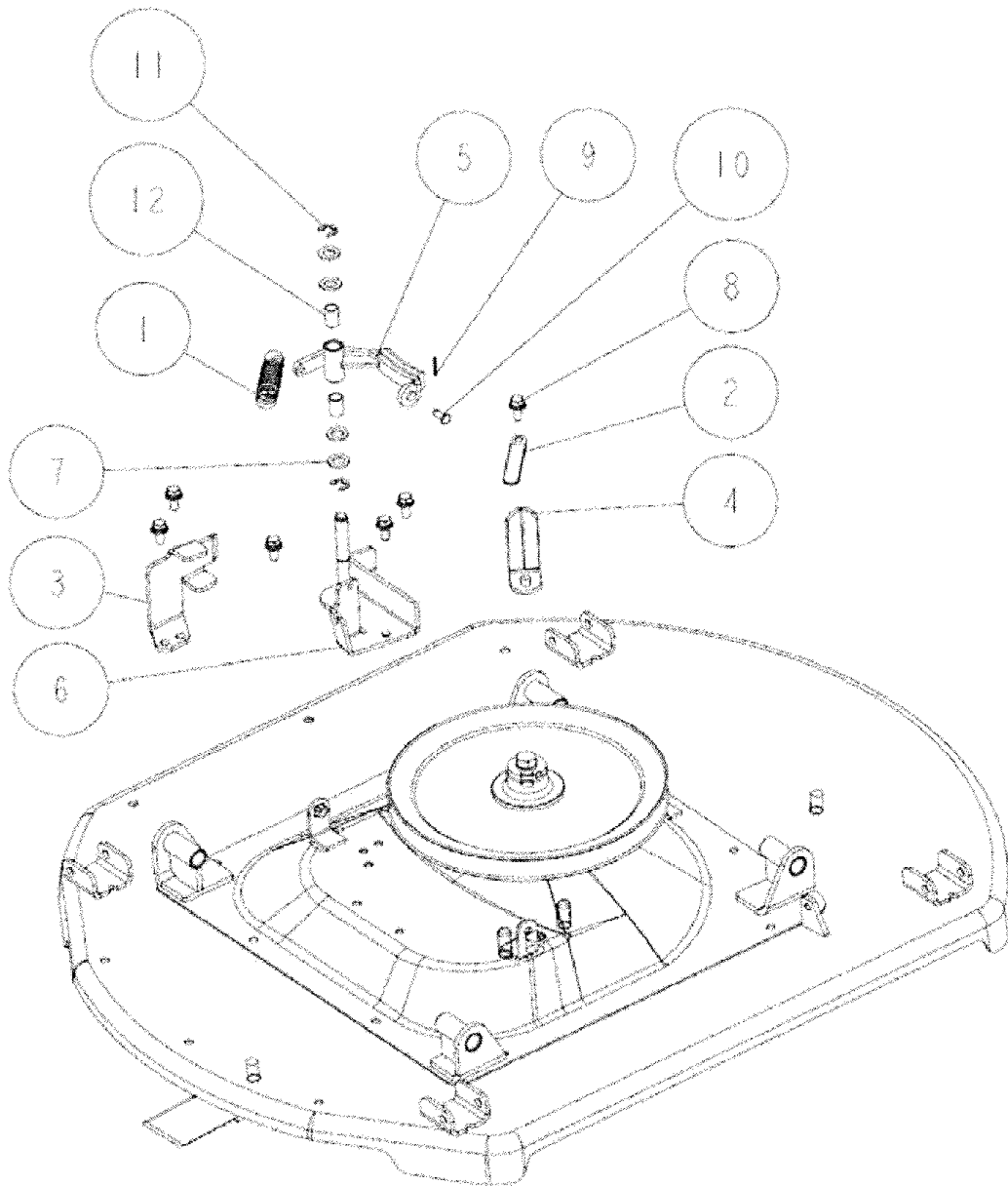
PL01946



03/2012

Number	Part Number	Name	Quantity
1	27417	DEFLECTOR SCREW	1,000
2	34843	RIGHT DEFLECTOR	1,000
3	34229	SPRING	1,000
4	34587	RUBBER FLAPPER	1,000
5	34277	R.COVER UP.DOWN ARM	1,000
6	34278	FRONT RIGHT COVER	1,000
7	34852	RIGHT REAR COVER	1,000
8	27370	NUT FLANGE M6	1,000
9	27893	SCREW HM6X20+WASHER	1,000
10	34302	SCREW M6X15	1,000
11	71413	SCREW HM 8-20	1,000
12	71205	SCREW M8	1,000
13	34322	WASHER 6	1,000
14	34327	WASHER 10	1,000
15	71343	SPRING WASHER A8	1,000
16	34333	PIN	1,000
17	34337	-> 43979	1,000
18	27322	WASHER 10	1,000

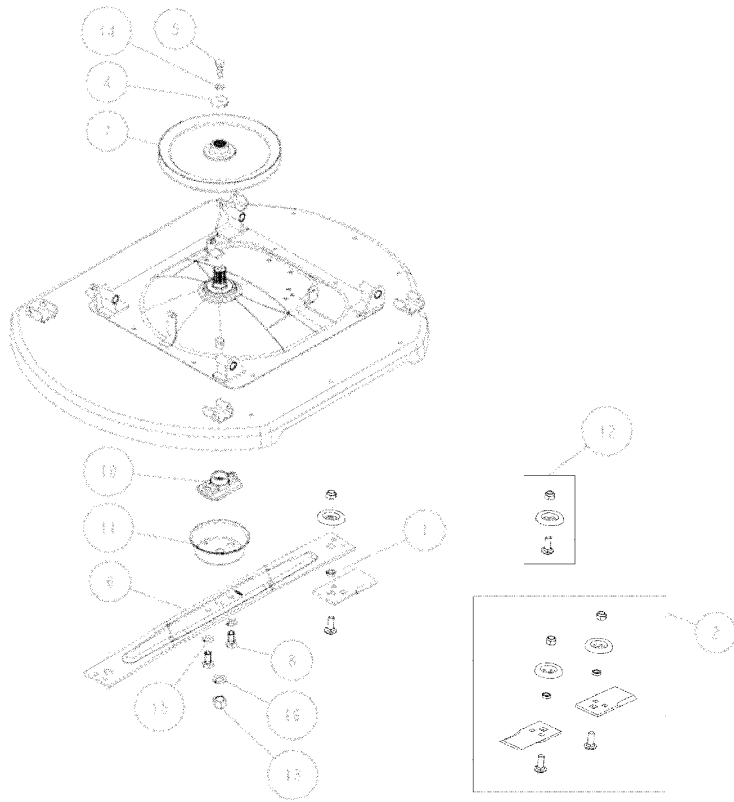
PL01947



03/2012

Number	Part Number	Name	Quantity
1	27222	TENS.SPRING	1,000
2	27314	HARNESS CLIP	1,000
3	34179	LEFT BELT GUIDE	1,000
4	34181	BELT GUIDE	1,000
5	34187	BLADE BRAKE	1,000
6	34848	BRACKET	1,000
7	27415	WASHER 13X21X2,3	1,000
8	34309	SCREW M8X20	1,000
9	27337	SPLINT PIN 2X15	1,000
10	27754	FLAT PIN 6X16	1,000
11	27428	E TYPE RING 10	1,000
12	27520	BUSH MB 122 ODV	1,000

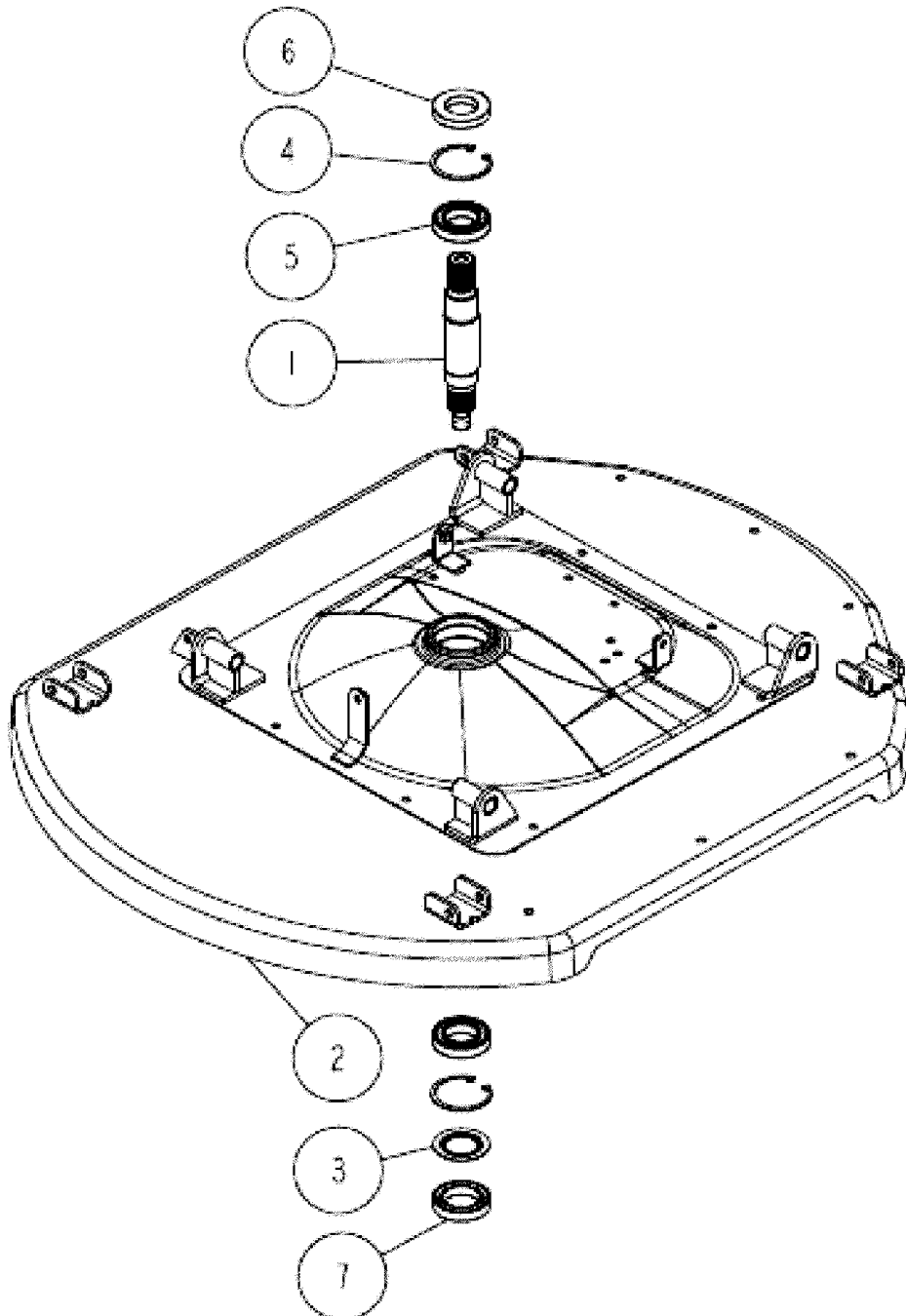
PL01948



03/2012

Number	Part Number	Name	Quantity
1	27266	KNIFE COLLAR	1,000
2	MC85	SWING TIP KIT	1,000
4	34109	WASHER 12X40X6	1,000
5	34110	SCREW HM12X35	1,000
6	34190	BLADE BODY AT.98	1,000
7	34191	BLADE PULLEY	1,000
8	34192	SCREW	1,000
10	34193	BLADE COUPLING	1,000
11	34194	PROTECTION	1,000
12	27543	FIXING KIT MC85	1,000
13	34292	STOP NUT M20	1,000
14	27353	SPRING WASHER A12	1,000
15	27358	WASHER	1,000
16	27408	SPRING WASHER 20	1,000

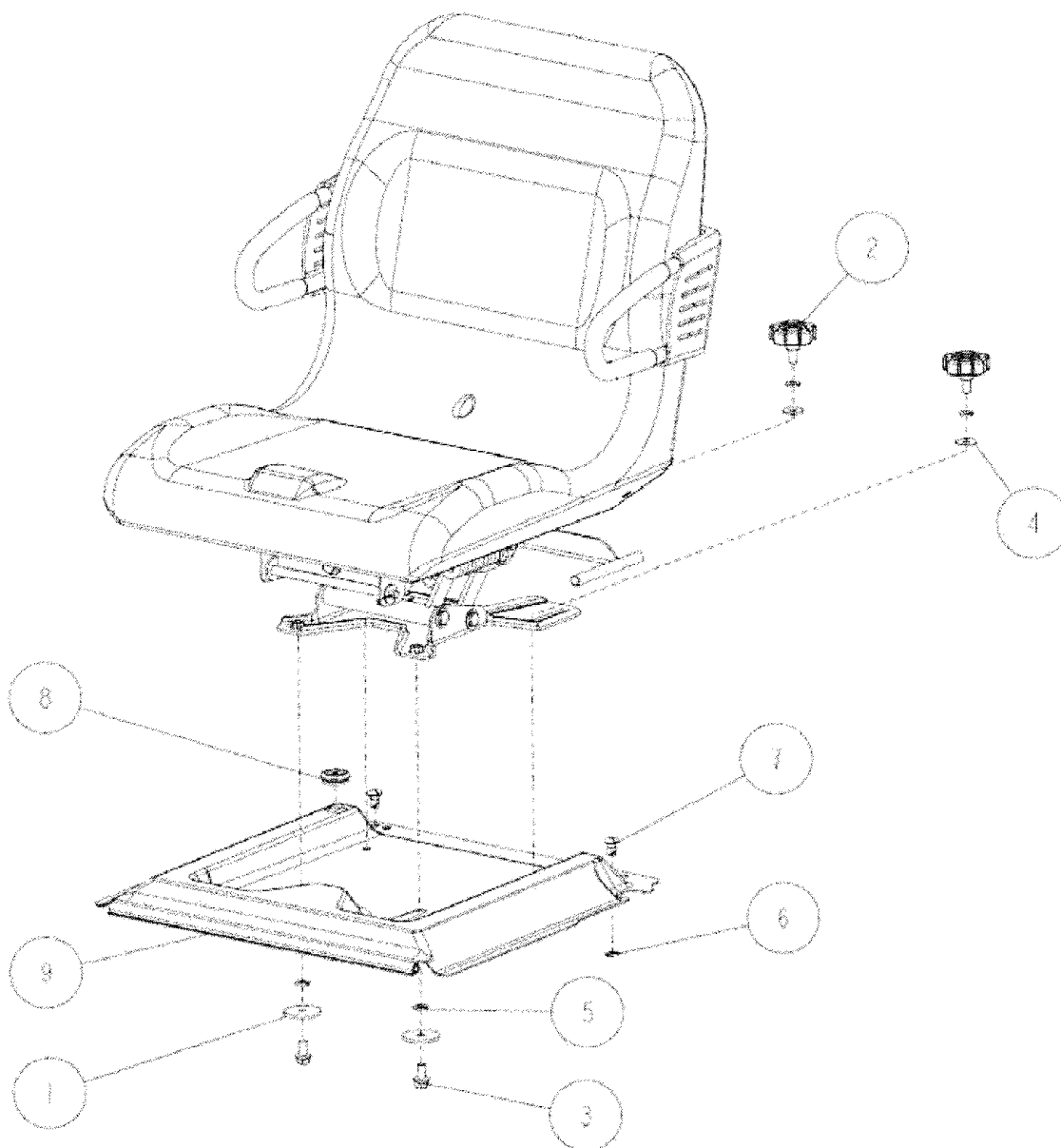
PL01949



03/2012

Number	Part Number	Name	Quantity
1	27573	BLADE SHAFT	1,000
2	34831	CUTTING DECK NAKED	1,000
3	27565	DUST COVER	1,000
4	27397	SNAP RING 62	1,000
5	24832	BEARING 6007-2RS1	1,000
6	27254	OIL SEAL UE35.62.10	1,000
7	27255	OIL SEAL AP40.62.12	1,000

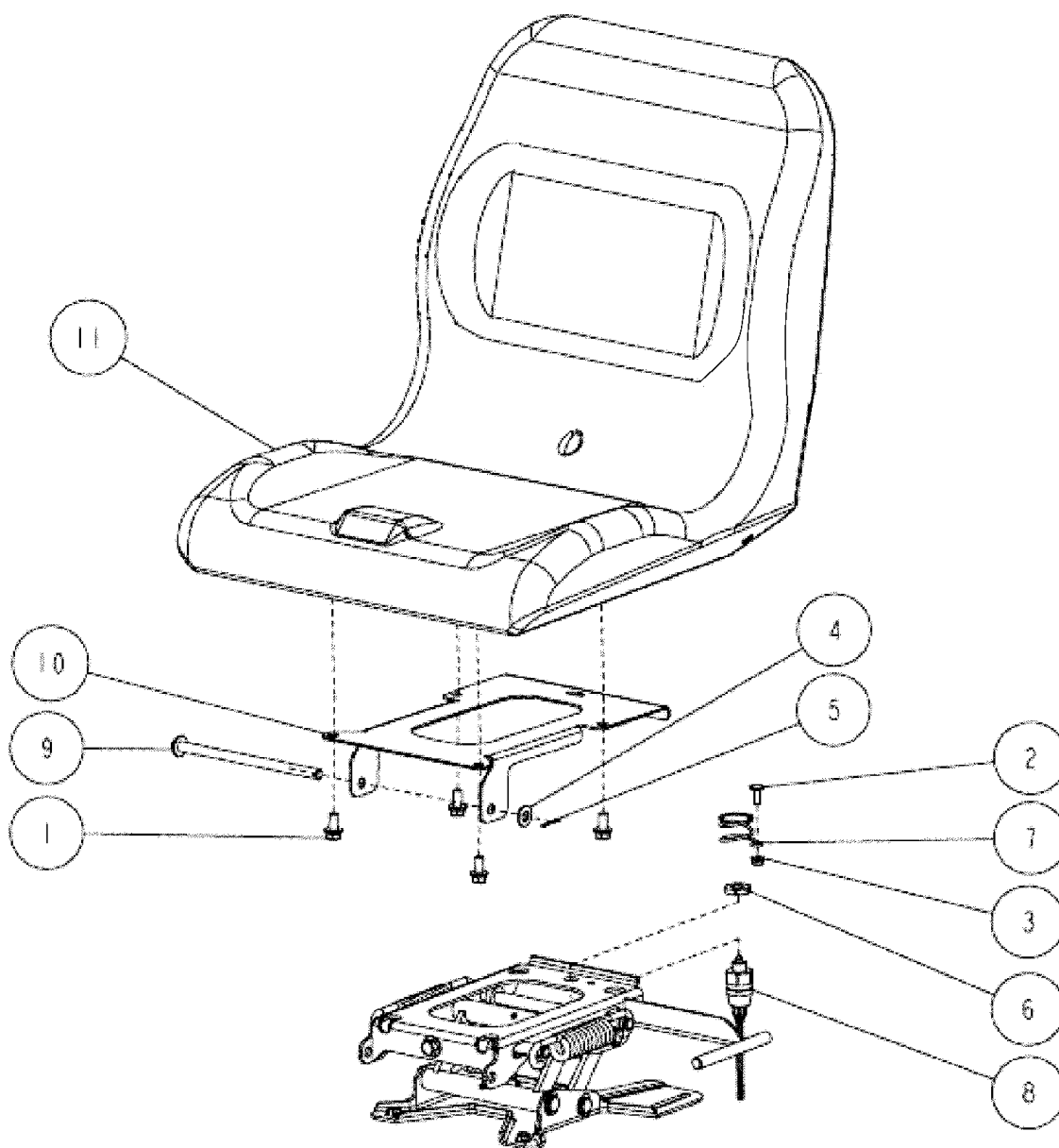
PL01950



03/2012

Number	Part Number	Name	Quantity
1	27909	WASHER 8X40X2,3	1,000
2	27907	KNOB BOLT 8X25	1,000
3	71413	SCREW HM 8-20	1,000
4	7035	FLAT WASHER	1,000
5	71343	SPRING WASHER A8	1,000
6	34340	RING 8	1,000
7	34226	SCREW T9-170	1,000
8	34246	PROTECTION D.24	1,000
9	34588	SEAT BRACKET	1,000

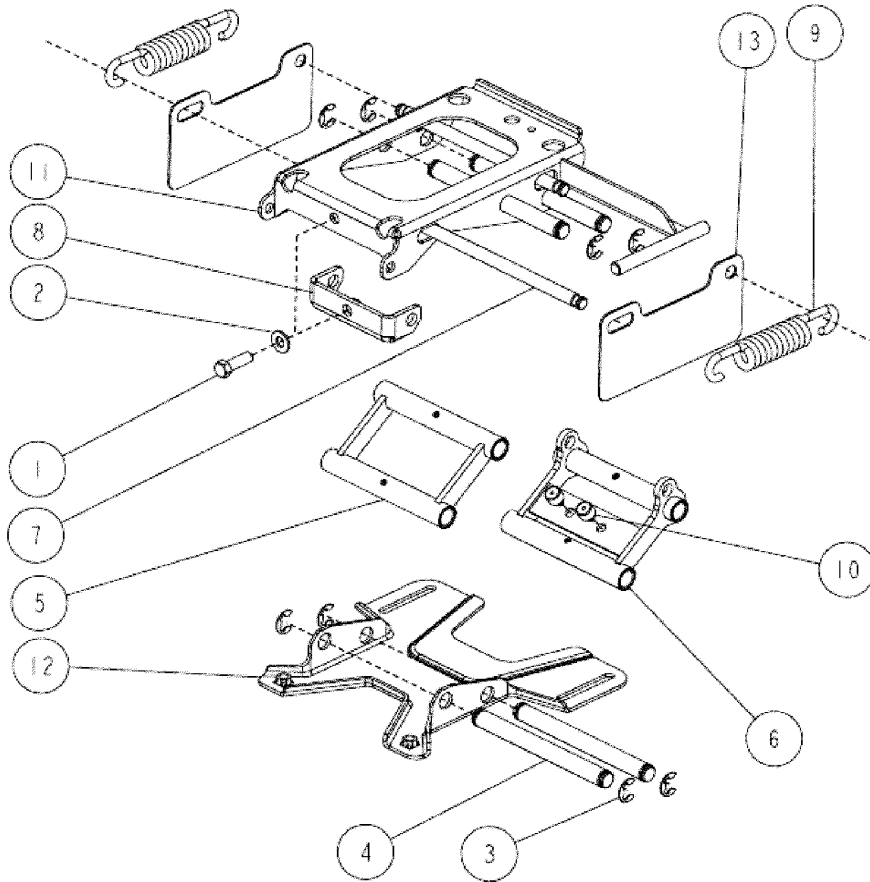
PL01951



03/2012

Number	Part Number	Name	Quantity
1	34309	SCREW M8X20	1,000
2	34312	SCREW M6X16	1,000
3	34313	NUT 6	1,000
4	34327	WASHER 10	1,000
5	34331	PIN	1,000
6	27856	SWITCH LOCK NUT	1,000
7	27918	SEAT SWITCH SPRING	1,000
8	27855	SAFETY SWITCH	1,000
9	34161	SEAT BRACKET AXLE	1,000
10	34274	SEAT BRACKET	1,000
11	30691	SEAT	1,000

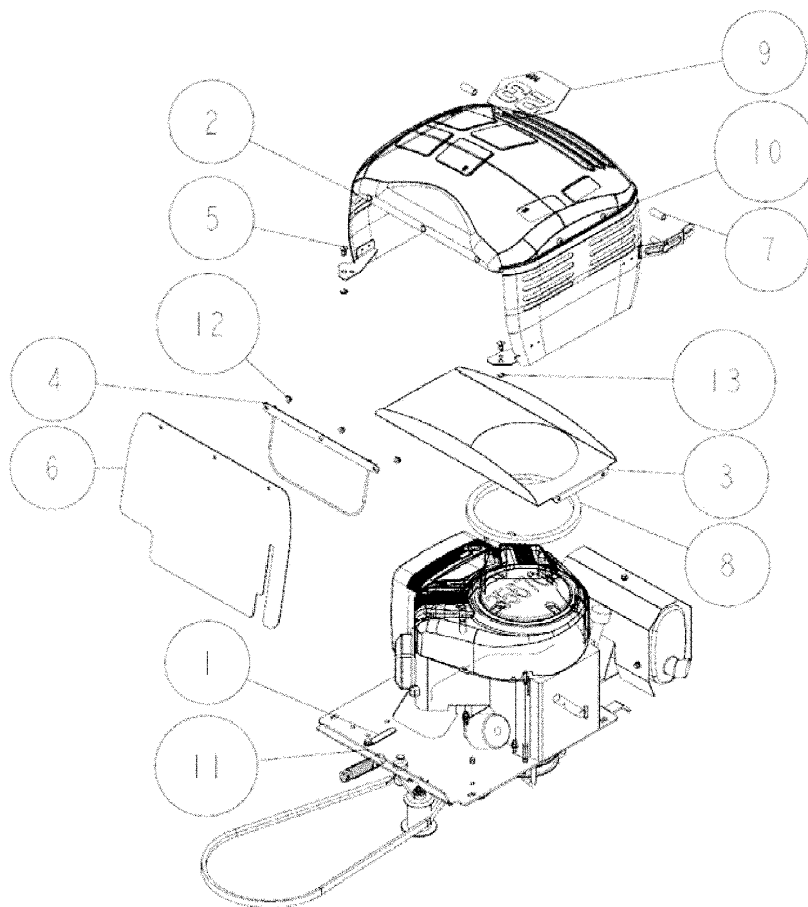
PL01952



03/2012

Number	Part Number	Name	Quantity
1	21035	HEX.SCREW M10X30	1,000
2	34327	WASHER 10	1,000
3	27313	SNAP RING E TYPE 12	1,000
4	34154	AXLE	1,000
5	34156	SEAT LINK	1,000
6	34157	SEAT LINK	1,000
7	34158	AXLE	1,000
8	34159	BRACKET	1,000
9	34225	SPRING	1,000
10	34227	SILENTBLOC	1,000
11	34543	BRACKET	1,000
12	34589	BRACKET	1,000
13	34675	SEAT BRACKET	1,000

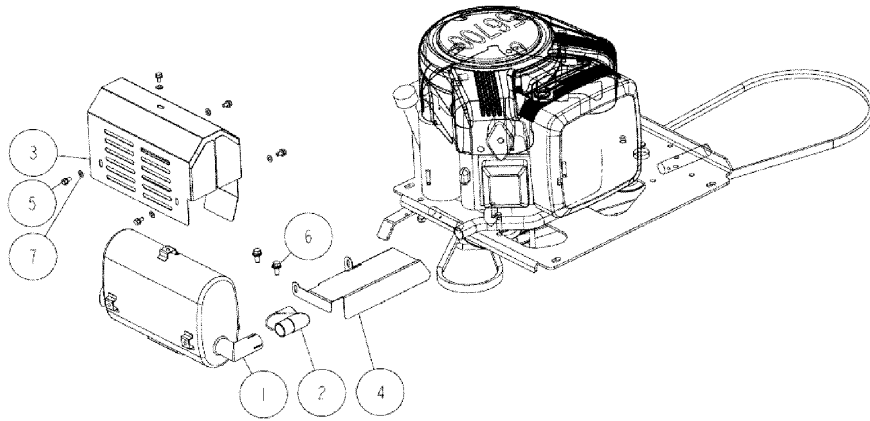
PL01953



03/2012

Number	Part Number	Name	Quantity
1	27314	HARNES CLIP	1,000
2	34835	ENGINE COVERING	1,000
3	34197	AIR FUNNEL PLATE	1,000
4	34214	FOAM BRACKET	1,000
5	34226	SCREW T9-170	1,000
6	34239	PROTECTIO FOAM	1,000
7	34649	PROTECTION	1,000
8	34261	PROTECTION	1,000
9	34849	STICKER 23 HP	1,000
10	34303	SCREW M6X10	1,000
11	34308	SCREW M8X16	1,000
12	27370	NUT FLANGE M6	1,000
13	34340	RING 8	1,000

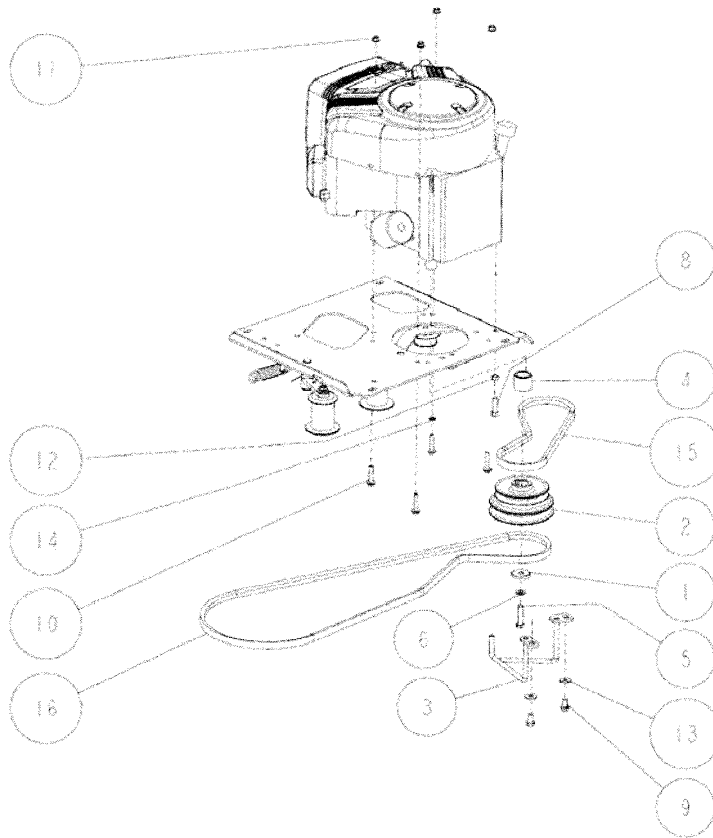
PL01954



03/2012

Number	Part Number	Name	Quantity
1	34172	MUFFLER AV98	1,000
2	34173	MUFFLER ADAPTER	1,000
3	34174	MUFFLE HOT PROTECT.	1,000
4	34847	HEAT PROTECTION	1,000
5	38408	SCREW HM6-16 8,8	1,000
6	34309	SCREW M8X20	1,000
7	34318	WASHER 6	1,000

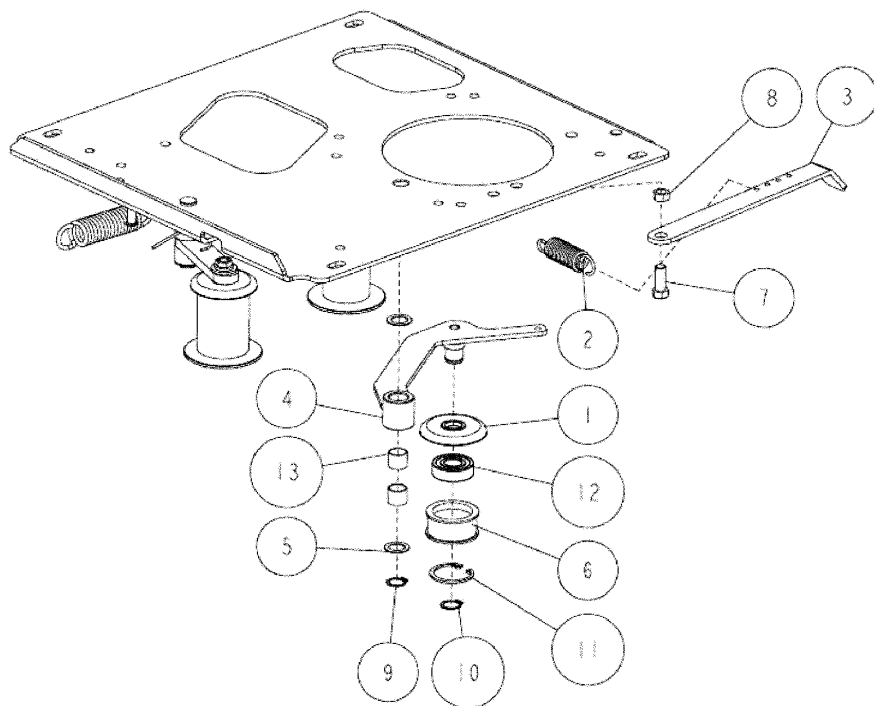
PL01955



03/2012

Number	Part Number	Name	Quantity
1	27713	WASHER 11X40X6	1,000
2	34828	ENGINE PULLEY	1,000
3	34830	BELT GUIDE	1,000
4	34175	BUSH	1,000
5	27362	SCREW UNF7/16-20X45	1,000
6	34297	WASHER 7/16	1,000
8	71242	HEX.SCREW HM10X35	1,000
9	71434	IN.HEX.SCREW M10X20	1,000
10	21114	BOLT 8X40	1,000
11	34315	NUT 8	1,000
12	71158	HEXAGONAL NUT HM10	1,000
13	34323	WASHER 10	1,000
14	34329	TOOTHED WASHER 8	1,000
15	34859	BELT LB34	1,000
16	34348	BLADE BELT	1,000

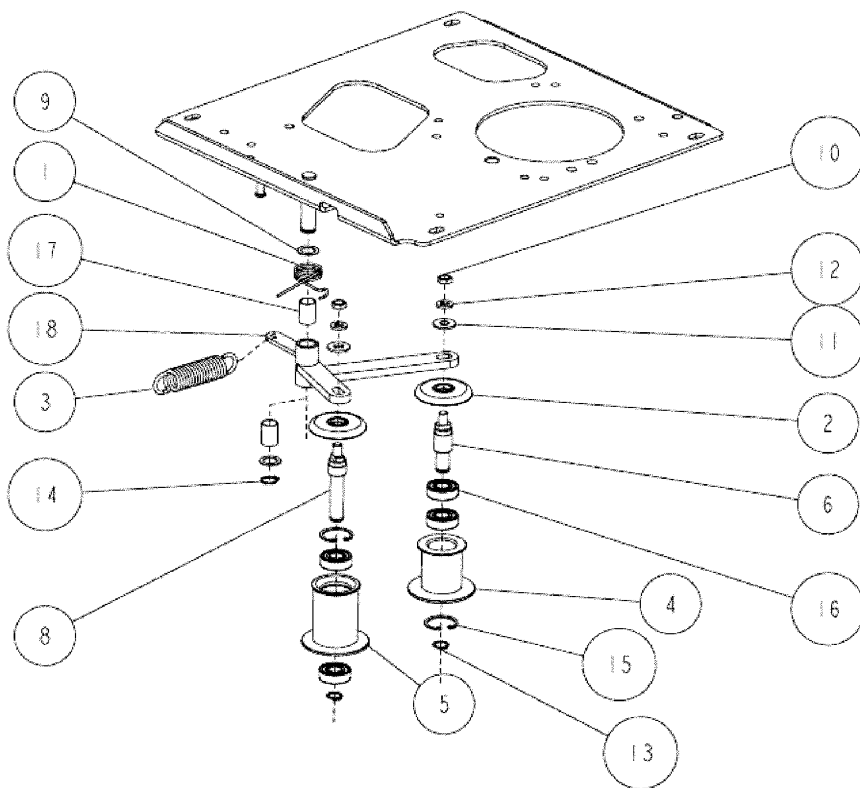
PL01956



03/2012

Number	Part Number	Name	Quantity
1	27226	RUBBER COVER 58	1,000
2	27222	TENS.SPRING	1,000
3	27687	DRIVE TENSION ARM	1,000
4	34829	TENSIONER ARM	1,000
5	27364	WASHER 16X24X1	1,000
6	27221	TENSION PULLEY	1,000
7	70086	HEXAGON SCREW,DIN 9	1,000
8	9017	NUT HM10	1,000
9	27365	SNAP RING 16	1,000
10	27376	SNAP RING 17	1,000
11	27374	SNAP RING 40	1,000
12	6058	BEARING 62032RS	1,000
13	34343	BUSH 16-15 DU	1,000

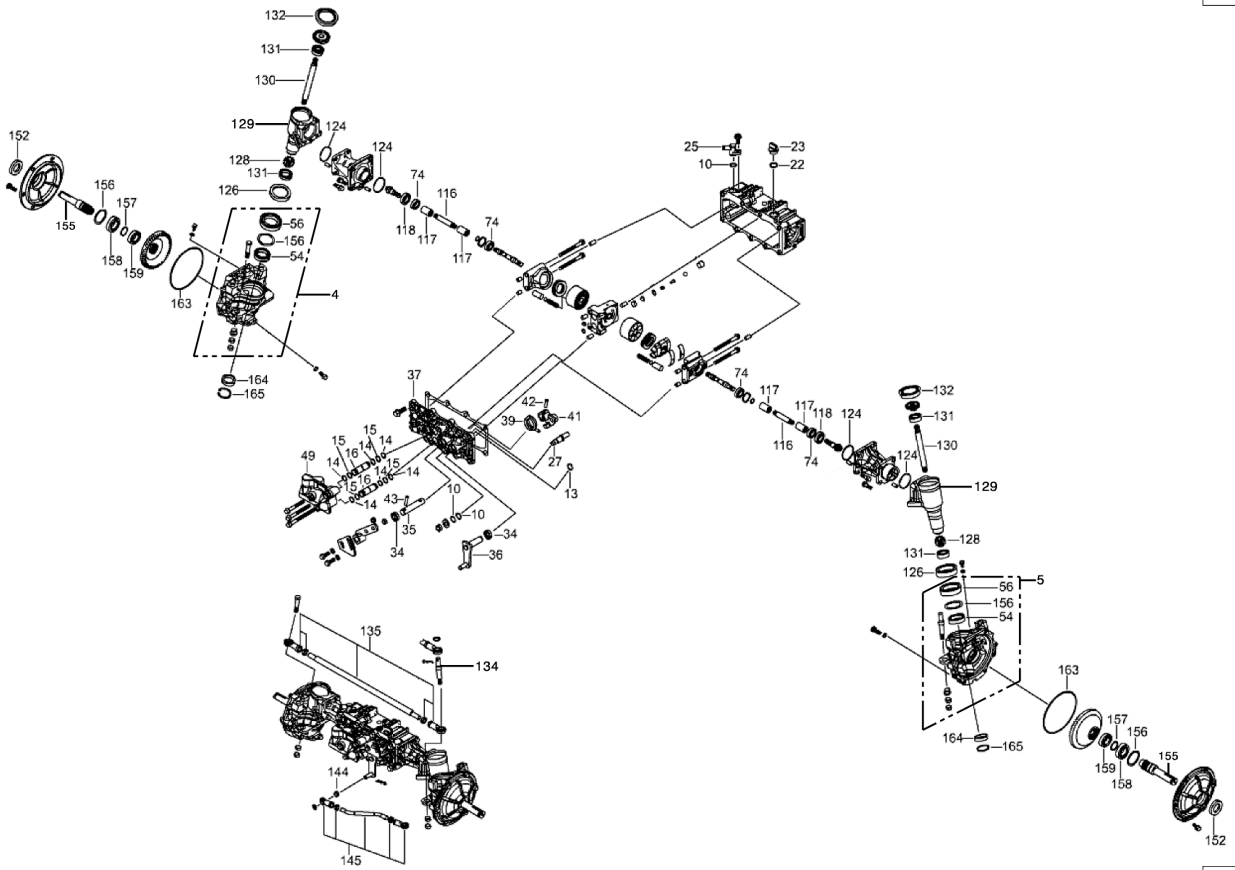
PL01957



03/2012

Number	Part Number	Name	Quantity
1	27391	RETURN SPRING	1,000
2	27226	RUBBER COVER 58	1,000
3	34102	SPRING	1,000
4	34825	PULLEY	1,000
5	34826	PULLEY	1,000
6	34827	AXLE	1,000
8	34182	TENSIONNER AXLE	1,000
9	27364	WASHER 16X24X1	1,000
10	34317	NUT 10	1,000
11	34323	WASHER 10	1,000
12	71052	SPRING WASHER,DIN 1	1,000
13	34339	CIRCLIP 15	1,000
14	27365	SNAP RING 16	1,000
15	71039	CIRCLIP,DIN 427 35X	1,000
16	25112	BALL BEARING,6202 S	1,000
17	27612	DU BUSH 16-25	1,000
18	34824	TENSIONER ARM	1,000

PL02055



02/2020

Number	Part Number	Name	Quantity
4	34907	GEARBOX FRONT R.	1,000
5	34908	GEARBOX FRONT L.	1,000
10	34858	O-RING 14	1,000
13	34869	SHAFT CIRCLIP	1,000
14	34870	O-RING	1,000
15	34871	RING	1,000
16	34872	PIPE	1,000
22	28196	OIL CAP GASKET	1,000
23	28183	OIL TANK	1,000
25	34769	HYDR.CORNER COUPLIN	1,000
27	34873	BRACKET SHAFT	1,000
34	34410	GASKET 162606	1,000
35	34874	STEERING SHAFT	1,000
36	34875	LEVER	1,000
37	34876	COVER	1,000
39	34877	SPRING	1,000
41	34878	ARM	1,000
42	34879	PIN 6X25	1,000
43	34880	PIN 6X32	1,000
49	34881	JOINTING BLOCK	1,000
54	34882	BALL BEARING 6906C3	1,000
56	34883	BALLBEARING 6908 C3	1,000
74	34884	BALLBEARING 6001 C3	1,000
116	34885	LINKING SHAFT	1,000
117	34886	RING	1,000
118	34887	BALLBEARING 6002 C3	1,000
124	34888	O-RING	1,000
126	34889	GASKET TC 466411	1,000
128	34890	GEAR 9 TEETH	1,000
129	34909	HOUSING AV98X	1,000
130	34891	SHAFT	1,000
131	34892	BALLBEARING 6003 C3	1,000
132	34893	COVER	1,000
134	34910	STEERING AXLE AV98X	1,000
135	34903	SPURSTANGE	1,000
144	34894	RING 10	1,000
145	34895	STEERING ROD	1,000
152	34868	LIP SEAL	1,000
155	34904	OUTPUT SHAFT	1,000
156	34896	SHAFT CIRCLIP 47	1,000
157	34897	SHAFT CIRCLIP 24	1,000

Number	Part Number	Name	Quantity
158	34898	BALLBEARING 6005 C3	1,000
159	34899	BALLBEARING 6004 C3	1,000
163	34900	O-RING 140	1,000
164	34901	SPACER 30X38X4	1,000
165	34902	SHAFT CIRCLIP 30	1,000